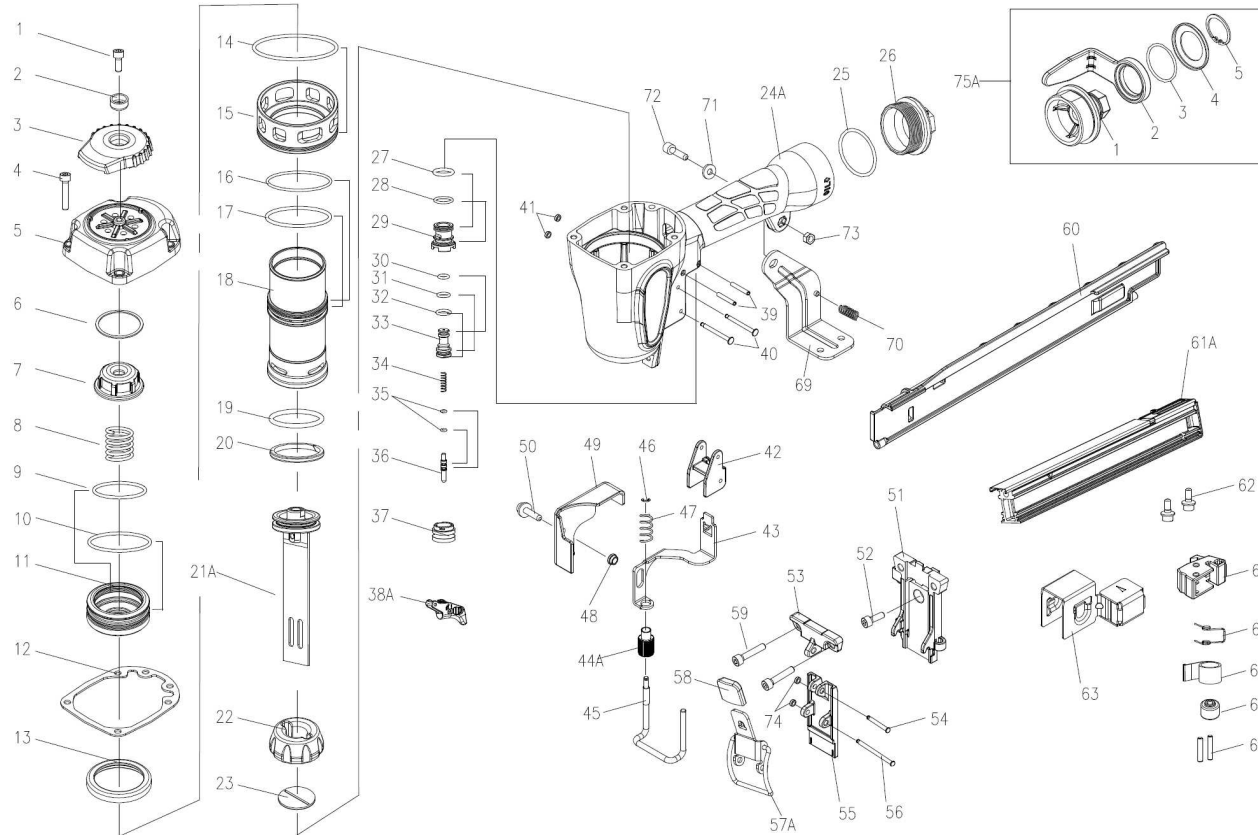


TH-T-P150 EXPLODED VIEW



Part No.	Description	Q'ty	Part No.	Description	Q'ty	Part No.	Description	Q'ty	Part No.	Description	Q'ty
TH-P-P150-1	Hex. Soc. Hd. Bolt	1	TH-P-P150-21A	Driver Assembly	1set	TH-P-P150-41	Grommet	2	TH-P-P150-61A	Magazine Assy.	1set
TH-P-P150-2	Bushing	1	TH-P-P150-22	Bumper	1	TH-P-P150-42	Guide Contact Trip	1	TH-P-P150-62	Hex. Soc. Hd. Bolt	2
TH-P-P150-3	Deflector	1	TH-P-P150-23	Driver Guide	1	TH-P-P150-43	Upper Safety Lever	1	TH-P-P150-63	Pusher	1
TH-P-P150-4	Hex. Soc. Hd. Bolt	4	TH-P-P150-24A	Body Assembly	1set	TH-P-P150-44A	Adjusting Nut Assembly	1set	TH-P-P150-64	Latch	1
TH-P-P150-5	Cap	1	TH-P-P150-25	O-Ring	1	TH-P-P150-45	Lower Safety	1	TH-P-P150-65	Spring	1
TH-P-P150-6	Metal Shim	1	TH-P-P150-26	End Cap	1	TH-P-P150-46	E-Ring	1	TH-P-P150-66	Spiral Spring	1
TH-P-P150-7	Piston Stopper	1	TH-P-P150-27	O-Ring	1	TH-P-P150-47	Spring, Safety	1	TH-P-P150-67	Roller	1
TH-P-P150-8	Spring	1	TH-P-P150-28	O-Ring	1	TH-P-P150-48	Bushing	1	TH-P-P150-68	Roller Pin	2
TH-P-P150-9	O-Ring	1	TH-P-P150-29	Valve	1	TH-P-P150-49	Safety Cover	1	TH-P-P150-69	Bracket	1
TH-P-P150-10	O-Ring	1	TH-P-P150-30	O-Ring	1	TH-P-P150-50	Hex. Soc. Hd. Bolt	1	TH-P-P150-70	Spring	1
TH-P-P150-11	Piston, Head Valve	1	TH-P-P150-31	O-Ring	1	TH-P-P150-51	Nose	1	TH-P-P150-71	Flat Washer	1
TH-P-P150-12	Cap, Gasket	1	TH-P-P150-32	O-Ring	1	TH-P-P150-52	Hex. Soc. Hd. Bolt	2	TH-P-P150-72	Hex. Soc. Hd. Bolt	1
TH-P-P150-13	Seal	1	TH-P-P150-33	Valve Plunger	1	TH-P-P150-53	Driver Guide Cover	1	TH-P-P150-73	Locknut	1
TH-P-P150-14	O-Ring	1	TH-P-P150-34	Spring	1	TH-P-P150-54	Roll Pin	1	TH-P-P150-74	O-Ring	2
TH-P-P150-15	Cylinder Spacer	1	TH-P-P150-35	O-Ring	2	TH-P-P150-55	Door	1			2
TH-P-P150-16	O-Ring	1	TH-P-P150-36	Plunger	1	TH-P-P150-56	Latch Door Pin	1			1
TH-P-P150-17	O-Ring	1	TH-P-P150-37	Plunger Cap	1	TH-P-P150-57A	Latch Door Assembly	1set			1
TH-P-P150-18	Cylinder	1	TH-P-P150-38A	Trigger Assembly	1set	TH-P-P150-58	Latch Door, Cover	1			1
TH-P-P150-19	O-Ring	1	TH-P-P150-39	Spring Pin	2	TH-P-P150-59	Hex. Soc. Hd. Bolt	2			1
TH-P-P150-20	Oilless O-Ring	1	TH-P-P150-40	Trigger Pin	2	TH-P-P150-60	Magazine Cap	1			1

TH-T-P150#42211101300

12/11/2012