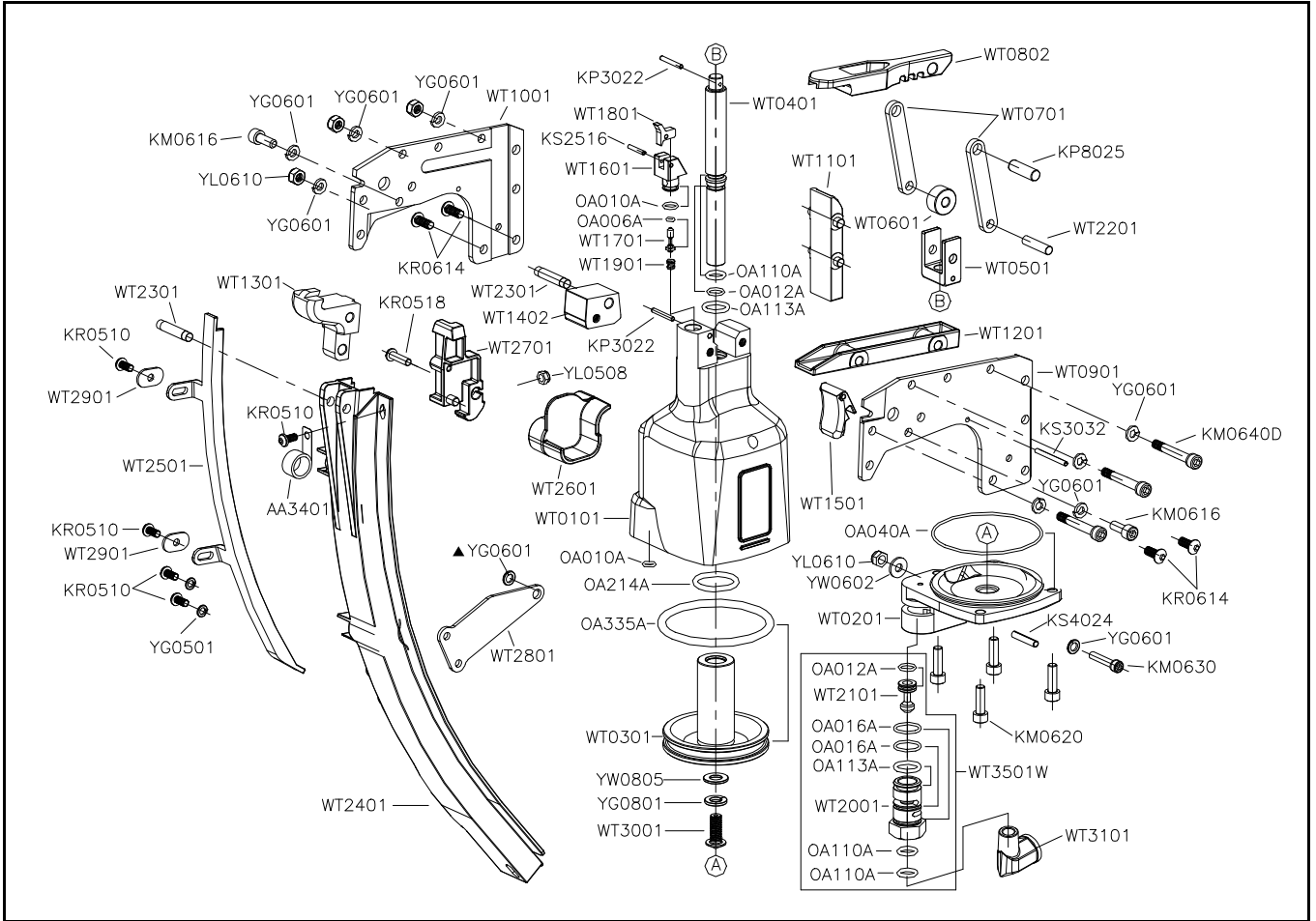


TH-T-M66

h



Part_No	Description	Spec	Q'ty	Part_No	Description	Spec	Q'ty	Part_No	Description	Spec	Q'ty
TH-P-M66- AA3401	PUSHER SPRING		1	TH-P-M66- OA335A	O-RING	ARP568-335	1	TH-P-M66- WT2101	VALVE PISTON		1
TH-P-M66- KM0616	HEX.SOC.HD.BOLT	M6×1.0 - 16L	2	TH-P-M66- WT0101	BODY		1	TH-P-M66- WT2201	PIVOT		1
TH-P-M66- KM0620	HEX.SOC.HD.BOLT	M6×1.0 - 20L	4	TH-P-M66- WT0201	END CAP		1	TH-P-M66- WT2301	PIVOT		2
TH-P-M66- KM0630	HEX.SOC.HD.BOLT	M6×1.0 - 30L	1	TH-P-M66- WT0301	MAIN PISTON		1	TH-P-M66- WT2401	NAIL SEAT		1
TH-P-M66- KM0640D	HEX.SOC.HD.BOLT	M6×1.0 - 40L	3	TH-P-M66- WT0401	PISTON ROD		1	TH-P-M66- WT2501	MAGAZINE COVER		1
TH-P-M66- KP3022	PARALLEL PIN	3×22L	2	TH-P-M66- WT0501	YOKE-PISTON ROD		1	TH-P-M66- WT2601	PUSHER BRACKET		1
TH-P-M66- KP8025	PARALLEL PIN	8×25L	1	TH-P-M66- WT0601	PIVOT		1	TH-P-M66- WT2701	PUSHER		1
TH-P-M66- KR0510	BUTTON HD.BOLT	M5×0.8 - 10L	5	TH-P-M66- WT0701	LINK		2	TH-P-M66- WT2801	SUPPORT		1
TH-P-M66- KR0518	BUTTON HD.BOLT	M5×0.8 - 18L	1	TH-P-M66- WT0802	DOWEL		1	TH-P-M66- WT2901	SPACER		2
TH-P-M66- KR0614	BUTTON HD.BOLT	M6×1.0 - 14L	4	TH-P-M66- WT0901	SIDE PLATE(L.H.)		1	TH-P-M66- WT3001	BUTTON HD.BOLT		1
TH-P-M66- KS2516	SPRING PIN	2.5-16L	1	TH-P-M66- WT1001	SIDE PLATE(R.H.)		1	TH-P-M66- WT3101	ELBOW		1
TH-P-M66- KS3032	SPRING PIN	3-32L	1	TH-P-M66- WT1101	TOP PLATE CASTING-MACHINED		1	TH-P-M66- WT3501W	MAIN VALVE ASSY.		1
TH-P-M66- KS4024	SPRING PIN	4-24L	1	TH-P-M66- WT1201	FRONT PLATE		1	TH-P-M66- YG0501	SPRING WASHER	5	2
TH-P-M66- OA006A	O-RING	ARP568-006	1	TH-P-M66- WT1301	ANVIL		1	TH-P-M66- YG0601	SPRING WASHER	6	10
TH-P-M66- OA010A	O-RING	ARP568-010	2	TH-P-M66- WT1402	BLADE GUIDE		1	TH-P-M66- YG0801	SPRING WASHER	8	1
TH-P-M66- OA012A	O-RING	ARP568-012	2	TH-P-M66- WT1501	TRIGGER		1	TH-P-M66- YL0508	LOCK NUT	M5×0.8	1
TH-P-M66- OA016A	O-RING	ARP568-016	2	TH-P-M66- WT1601	PILOT VALVE BODY		1	TH-P-M66- YL0610	LOCK NUT	M6×1.0	4
TH-P-M66- OA040A	O-RING	ARP568-040	1	TH-P-M66- WT1701	VALVE STEM		1	TH-P-M66- YW0602	FLAT WASHER	6	1
TH-P-M66- OA110A	O-RING	ARP568-110	3	TH-P-M66- WT1801	VALVE LEVER		1	TH-P-M66- YW0805	FLAT WASHER	8	1
TH-P-M66- OA113A	O-RING	ARP568-113	2	TH-P-M66- WT1901	COMPRESSION SPRING		1				
TH-P-M66- OA214A	O-RING	ARP568-214	1	TH-P-M66- WT2001	MAIN VALVE BODY		1				

If you need to order parts, please mark both Parts No. and Description.