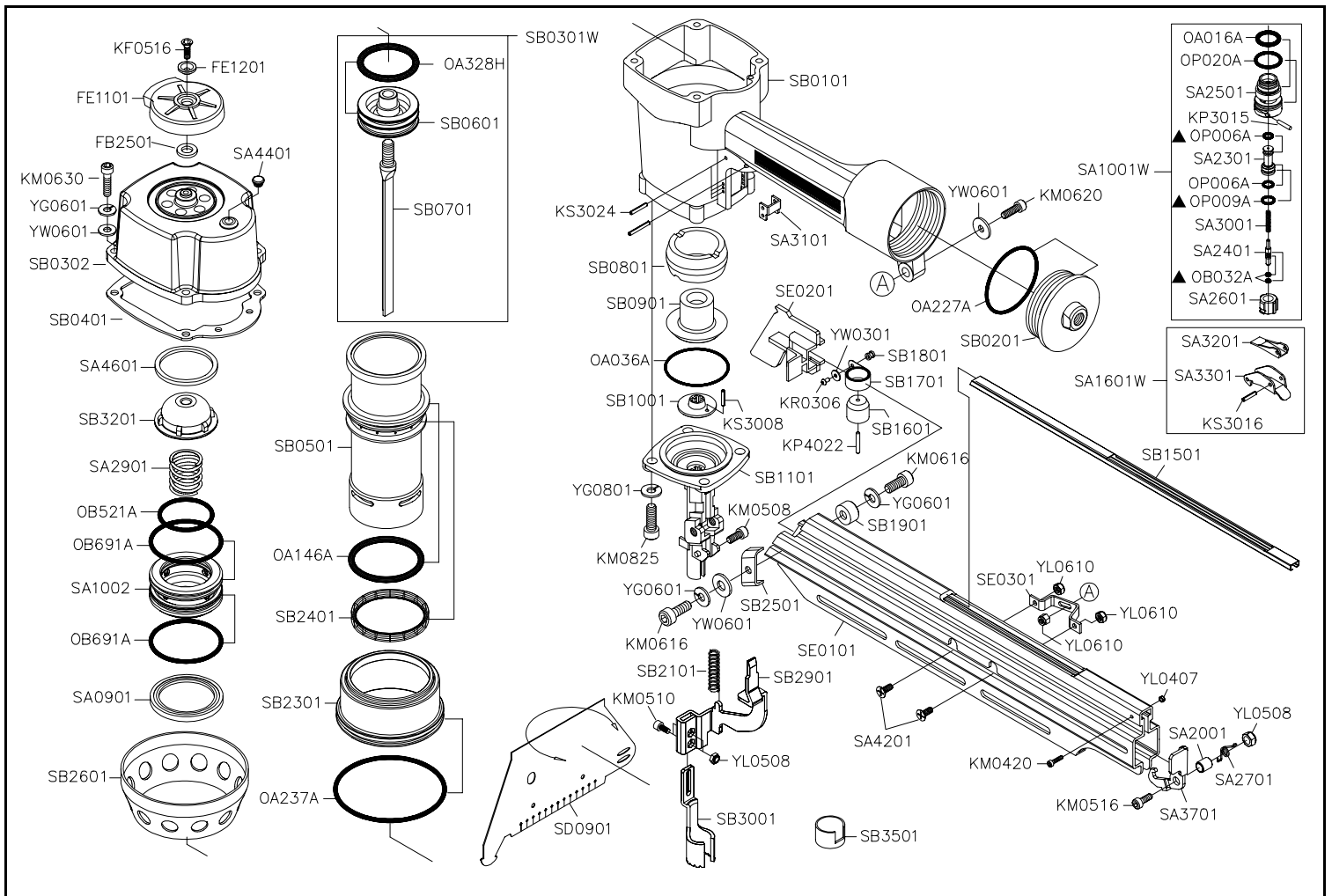


TH-T-FN90-34



Parts No.	Description	Spec	Q'ty	Parts No.	Description	Spec	Q'ty	Parts No.	Description	Spec	Q'ty
TH-P-FN90-34-FB2501	PISTON STOP		1	TH-P-FN90-34-SA0901	HEAD VALVE SEAL		1	TH-P-FN90-34-SB1101	NOSE		1
TH-P-FN90-34-FE1101	EXHAUST CAP		1	TH-P-FN90-34-SA1001W	RESTRICTIVE TRIGGER ASSY.		1	TH-P-FN90-34-SB1501	NAIL GUIDE		1
TH-P-FN90-34-FE1201	EXHAUST CAP RING		1	TH-P-FN90-34-SA1002	HEAD VALVE PISTON		1	TH-P-FN90-34-SB1601	ROLLER		1
TH-P-FN90-34-KF0516	FLAT HD.BOLT	M5×0.8 - 16L	1	TH-P-FN90-34-SA1601W	TRIGGER ASSY.		1	TH-P-FN90-34-SB1701	PUSHER SPRING		1
TH-P-FN90-34-KM0420	HEX.SOC.HD.BOLT	M4×0.7 - 20L	1	TH-P-FN90-34-SA2001	LATCH BUSHING		1	TH-P-FN90-34-SB1801	SPRING SEAT		1
TH-P-FN90-34-KM0508	HEX.SOC.HD.BOLT	M5×0.8 - 8L	2	TH-P-FN90-34-SA2301	PILOT VALVE		1	TH-P-FN90-34-SB1901	WASHER		1
TH-P-FN90-34-KM0510	HEX.SOC.HD.BOLT	M5×0.8 - 10L	2	TH-P-FN90-34-SA2401	TRIGGER VALVE STEM		1	TH-P-FN90-34-SB2101	COMPRESSION SPRING		1
TH-P-FN90-34-KM0516	HEX.SOC.HD.BOLT	M5×0.8 - 16L	1	TH-P-FN90-34-SA2501	TRIGGER VALVE SEAT		1	TH-P-FN90-34-SB2301	CYLINDER RING		1
TH-P-FN90-34-KM0616	HEX.SOC.HD.BOLT	M6×1.0 - 16L	2	TH-P-FN90-34-SA2601	TRIGGER VALVE SEAT		1	TH-P-FN90-34-SB2401	CHECK SEAL		1
TH-P-FN90-34-KM0620	HEX.SOC.HD.BOLT	M6×1.0 - 20L	1	TH-P-FN90-34-SA2701	SPRING		1	TH-P-FN90-34-SB2501	SUPPORT		1
TH-P-FN90-34-KM0630	HEX.SOC.HD.BOLT	M6×1.0 - 30L	4	TH-P-FN90-34-SA2901	COMPRESSION SPRING		1	TH-P-FN90-34-SB2601	COLLAR		1
TH-P-FN90-34-KM0825	HEX.SOC.HD.BOLT	M8×1.25 - 25L	4	TH-P-FN90-34-SA3001	COMPRESSION SPRING		1	TH-P-FN90-34-SB2901	SAFETY		1
TH-P-FN90-34-KP3015	PARALLEL PIN	3×15L	2	TH-P-FN90-34-SA3101	SAFETY GUIDE		1	TH-P-FN90-34-SB3001	WORK CONTACTING ELEMENT		1
TH-P-FN90-34-KP4022	PARALLEL PIN	4×22L	1	TH-P-FN90-34-SA3201	CONTACT LEVER		1	TH-P-FN90-34-SB3201	PISTON STOP		1
TH-P-FN90-34-KR0306	BUTTON HD.BOLT	M3×0.5 - 6L	1	TH-P-FN90-34-SA3301	TRIGGER		1	TH-P-FN90-34-SB3501	SAFETY CUSHION		1
TH-P-FN90-34-KS3008	SPRING PIN	3-8L	1	TH-P-FN90-34-SA3701	LATCH		1	TH-P-FN90-34-SD0901	DUST SHIELD		1
TH-P-FN90-34-KS3016	SPRING PIN	3-16L	1	TH-P-FN90-34-SA4201	SCREW		2	TH-P-FN90-34-SE0101	MAGAZINE SEAT		1
TH-P-FN90-34-KS3024	SPRING PIN	3-24L	5	TH-P-FN90-34-SA4401	GROMMET		1	TH-P-FN90-34-SE0201	PUSHER		1
TH-P-FN90-34-OA016A	O-RING	ARP568-016	1	TH-P-FN90-34-SA4601	SPACER		1	TH-P-FN90-34-SE0301	SUPPORT		1
TH-P-FN90-34-OA036A	O-RING	ARP568-036	1	TH-P-FN90-34-SB0101	BODY		1	TH-P-FN90-34-YG0601	SPRING WASHER	6	6
TH-P-FN90-34-OA146A	O-RING	ARP568-146	1	TH-P-FN90-34-SB0201	END CAP		1	TH-P-FN90-34-YG0801	SPRING WASHER	8	4
TH-P-FN90-34-OA227A	O-RING	ARP568-227	1	TH-P-FN90-34-SB0301W	DRIVER ASSY.		1	TH-P-FN90-34-YL0407	LOCK NUT	M4×0.7	1
TH-P-FN90-34-OA237A	O-RING	ARP568-237	1	TH-P-FN90-34-SB0302	CYLINDER CAP		1	TH-P-FN90-34-YL0508	LOCK NUT	M5×0.8	3
TH-P-FN90-34-OA328H	O-RING	46.99×5.33	1	TH-P-FN90-34-SB0401	CAP SEAL		1	TH-P-FN90-34-YL0610	LOCK NUT	M6×1.0	3
TH-P-FN90-34-OB032A	O-RING	2.5×1.4	2	TH-P-FN90-34-SB0501	CYLINDER		1	TH-P-FN90-34-YW0301	FLAT WASHER	3	1
TH-P-FN90-34-OB521A	O-RING	51.5×3.1	1	TH-P-FN90-34-SB0601	MAIN PISTON		1	TH-P-FN90-34-YW0601	FLAT WASHER	6	6
TH-P-FN90-34-OB691A	O-RING	68.5×2.95	2	TH-P-FN90-34-SB0701	DRIVER		1				
TH-P-FN90-34-OP006A	O-RING	P6	2	TH-P-FN90-34-SB0801	TOP BUMPER		1				
TH-P-FN90-34-OP009A	O-RING	P9	1	TH-P-FN90-34-SB0901	BOTTOM BUMPER		1				
TH-P-FN90-34-OP020A	O-RING	P20	1	TH-P-FN90-34-SB1001	DRIVER GUIDE		1				

If you need to order parts, please mark both Parts No. and Description.