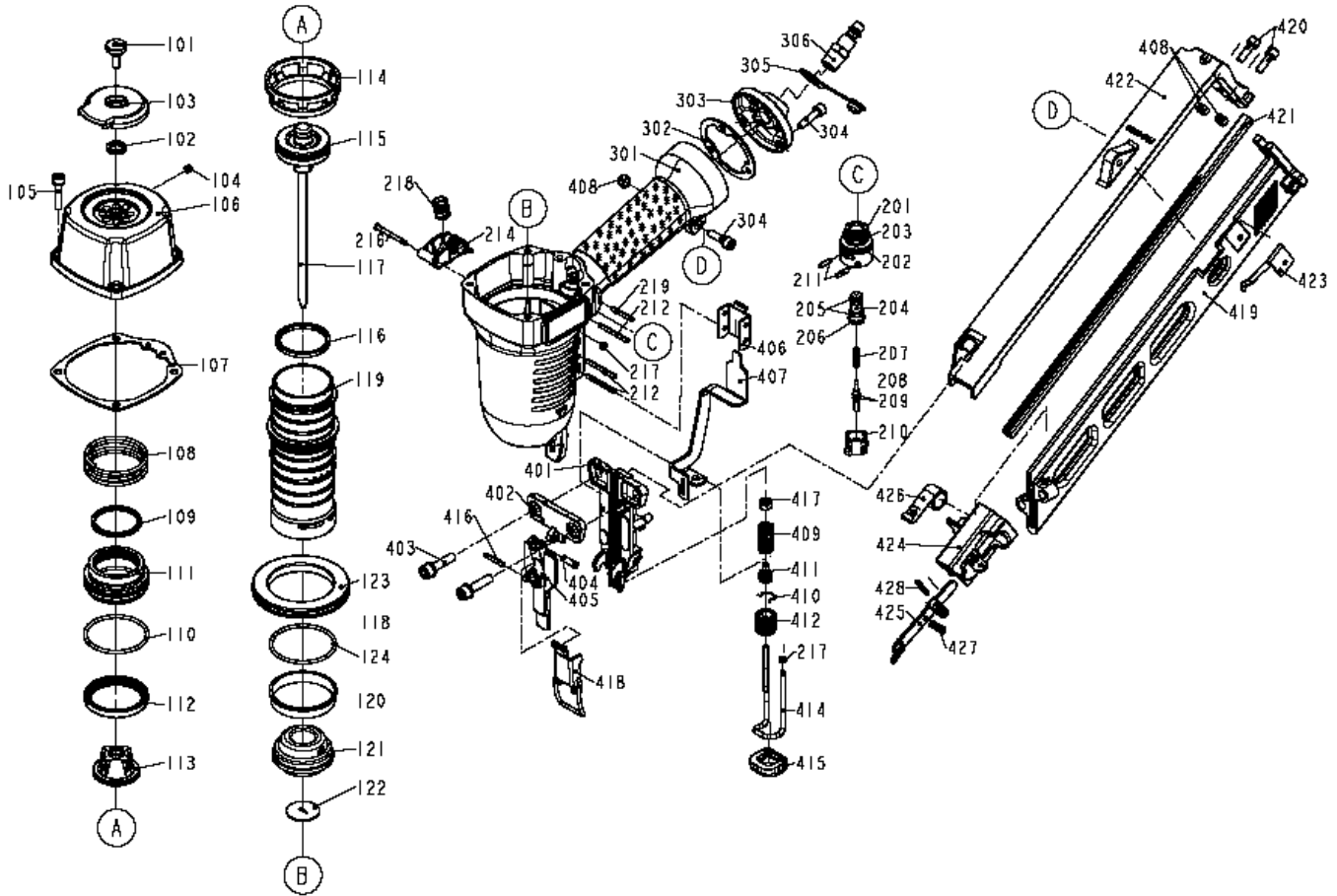


TH-T-DA41

15 GA. ANGLE FINISH NAILER



ITEM	A.A PARTS NO.	PARTS NAME	ITEM	A.A PARTS NO.	PARTS NAME
101	TH-P-DA41-101	DEFLECTOR BOLT(3M2353)	215	TH-P-DA41-215	SPRING PIN
102	TH-P-DA41-102	RUBBER PAD	216	TH-P-DA41-216	TRIGGER PIVOT PIN
103	TH-P-DA41-103	DEFLECTOR	217	TH-P-DA41-217	URETHANE RETAINER
104	TH-P-DA41-104	HEX.SOC.HD.SCREW	218	TH-P-DA41-219	SPRING
105	TH-P-DA41-105	BOLT ASSY	219	TH-P-DA41-220	SPRING PIN
106	TH-P-DA41-106	CAP	301	TH-P-DA41-301	GUN BODY UNIT
107	TH-P-DA41-107	CYLINDER CAP SEAL	302	TH-P-DA41-302	GASKET
108	TH-P-DA41-108	COMPRESSION SPRING	303	TH-P-DA41-303	END CAP
109	TH-P-DA41-109	O - RING	304	TH-P-DA41-304	BOLT ASSY
110	TH-P-DA41-110	O - RING	305	TH-P-DA41-305	AIR PLUG CAP
111	TH-P-DA41-111	HD.VALVE PISTON	306	TH-P-DA41-306	AIR PLUG
112	TH-P-DA41-112	COLLAR	401	TH-P-DA41-401	DRIVER GUIDE
113	TH-P-DA41-113	SEAL	402	TH-P-DA41-402	DRIVER GUIDE COVER B
114	TH-P-DA41-114	PRESS RING	403	TH-P-DA41-403	BOLT ASSY
115	TH-P-DA41-115	O - RING	404	TH-P-DA41-404	FIXED PIN
116	TH-P-DA41-116	PISTON RING	405	TH-P-DA41-405	DRIVER GUIDE COVER A
117	TH-P-DA41-117	DRIVER UNIT	406	TH-P-DA41-406	SAFETY GUIDE
118	TH-P-DA41-118	O - RING	407	TH-P-DA41-407	SAFETY B
119	TH-P-DA41-119	CYLINDER	408	TH-P-DA41-408	LOCK NUT
120	TH-P-DA41-120	CYLINDER RING	410	TH-P-DA41-410	RING
121	TH-P-DA41-121	BUMPER	411	TH-P-DA41-411	LINK ROD
122	TH-P-DA41-122	DRIVER GUIDE	412	TH-P-DA41-412	ADJUST AXIE
123	TH-P-DA41-123	CYLINDER SPACER	414	TH-P-DA41-414	SAFETY
124	TH-P-DA41-124	O - RING	415	TH-P-DA41-415	PROTECTIVE CASING
201	TH-P-DA41-201	O - RING	416	TH-P-DA41-416	SPIRAL PINS
202	TH-P-DA41-202	O - RING	417	TH-P-DA41-417	LOCK NUT
203	TH-P-DA41-203	PLUNGER CAP	418	TH-P-DA41-418	LOCK HANDLE UNIT
204	TH-P-DA41-204	VALVE PLUNGER	419	TH-P-DA41-419	MAGAZINE A
205	TH-P-DA41-205	O - RING	420	TH-P-DA41-420	BOLT ASSY
206	TH-P-DA41-206	O - RING	421	TH-P-DA41-421	STEEL CHANNEL
207	TH-P-DA41-207	SPRING	422	TH-P-DA41-422	MAGAZINE B
208	TH-P-DA41-208	PLUNGER	423	TH-P-DA41-423	STOP NAIL PLATE
209	TH-P-DA41-209	O - RING	424	TH-P-DA41-424	PROTECTING HOOD COVER
210	TH-P-DA41-210	TRIGGER VALVE HEAD	425	TH-P-DA41-425	PUSHER
211	TH-P-DA41-211	SPRING PIN	426	TH-P-DA41-426	SPRING UNIT
212	TH-P-DA41-212	SPRING PIN	427	TH-P-DA41-427	PUSHER SPRING
213	TH-P-DA41-213	SECONDARY TRIGGER	428	TH-P-DA41-428	SPRING PIN
214	TH-P-DA41-214	TRIGGER			