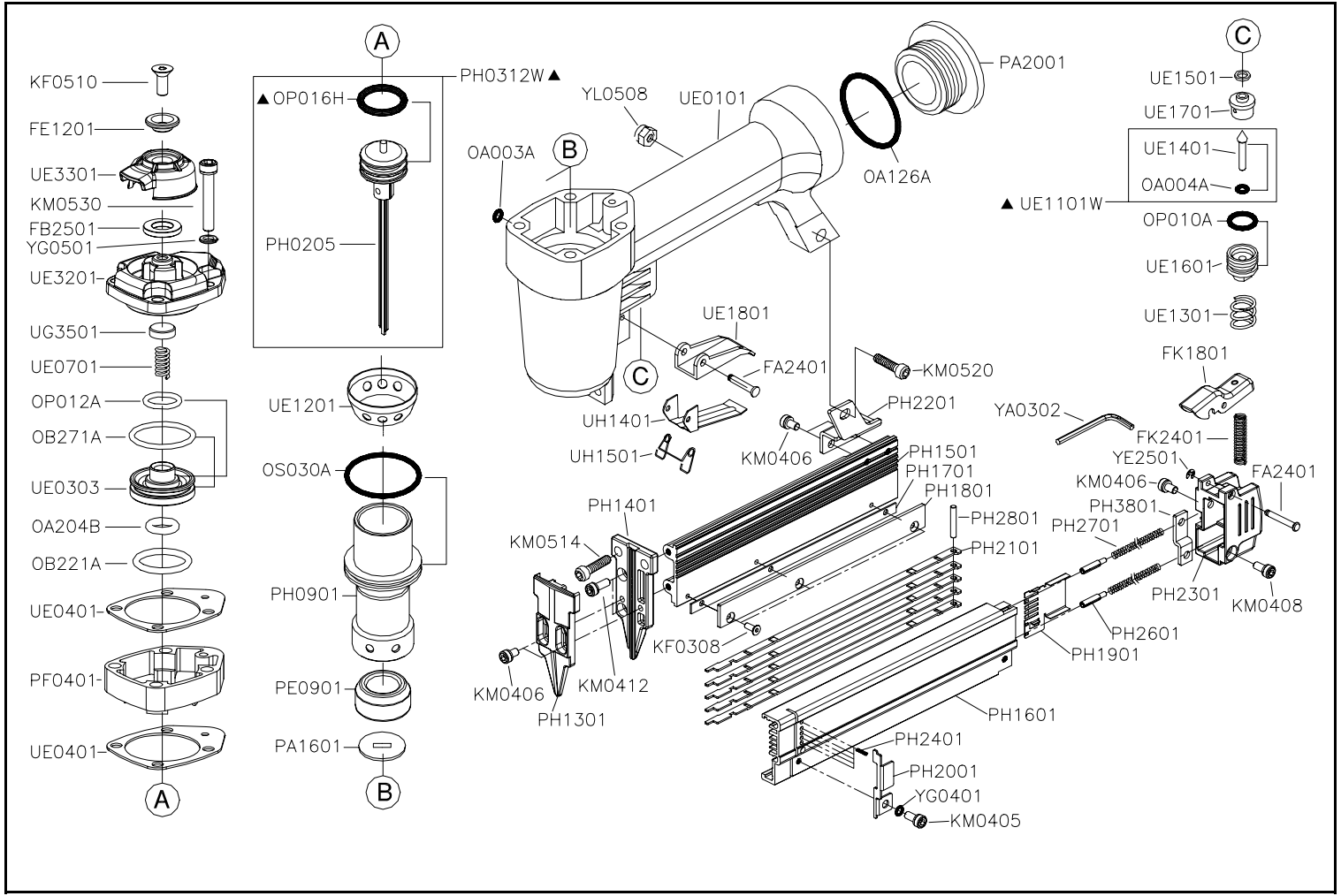


TH-T-CZ10



Parts No.	Description	Spec	Q'ty	Parts No.	Description	Spec	Q'ty	Parts No.	Description	Spec	Q'ty
TH-P-CZ10-FA2401	PIN		2	TH-P-CZ10-OS030A	O-RING	S-30	1	TH-P-CZ10-PH3801	NUT PLATE		1
TH-P-CZ10-FB2501	PISTON STOP		1	TH-P-CZ10-PA1601	NOZZLE		1	TH-P-CZ10-UE0101	BODY		1
TH-P-CZ10-FE1201	EXHAUST CAP RING		1	TH-P-CZ10-PA2001	END CAP		1	TH-P-CZ10-UE0303	HEAD VALVE PISTON		1
TH-P-CZ10-FK1801	LATCH		1	TH-P-CZ10-PE0901	BUMPER		1	TH-P-CZ10-UE0401	CAP SEAL		2
TH-P-CZ10-FK2401	COMPRESSION SPRING		1	TH-P-CZ10-PF0401	CAP		1	TH-P-CZ10-UE0701	COMPRESSION SPRING		1
TH-P-CZ10-KF0308	FLAT HD.BOLT	M3×0.5 - 8L	3	TH-P-CZ10-PH0205	DRIVER SET		1	TH-P-CZ10-UE1101W	TRIGGER VALVE ASSY.		1
TH-P-CZ10-KF0510	FLAT HD.BOLT	M5×0.8 - 10L	1	TH-P-CZ10-PH0312W	DRIVER ASSY.		1	TH-P-CZ10-UE1201	COLLAR		1
TH-P-CZ10-KM0405	HEX.SOC.HD.BOLT	M4×0.7 - 5L	1	TH-P-CZ10-PH0901	CYLINDER		1	TH-P-CZ10-UE1301	COMPRESSION SPRING		1
TH-P-CZ10-KM0406	HEX.SOC.HD.BOLT	M4×0.7 - 6L	5	TH-P-CZ10-PH1301	COVER PLATE		1	TH-P-CZ10-UE1401	TRIGGER VALVE STEM		1
TH-P-CZ10-KM0408	HEX.SOC.HD.BOLT	M4×0.7 - 8L	1	TH-P-CZ10-PH1401	GUIDE PLATE		1	TH-P-CZ10-UE1501	SEAL		1
TH-P-CZ10-KM0412	HEX.SOC.HD.BOLT	M4×0.7 - 12L	2	TH-P-CZ10-PH1501	MAGAZINE SEAT		1	TH-P-CZ10-UE1601	TRIGGER VALVE GUIDE		1
TH-P-CZ10-KM0514	HEX.SOC.HD.BOLT	M5×0.8 - 14L	2	TH-P-CZ10-PH1601	MAGAZINE CAP		1	TH-P-CZ10-UE1701	TRIGGER VALVE SEAT		1
TH-P-CZ10-KM0520	HEX.SOC.HD.BOLT	M5×0.8 - 20L	1	TH-P-CZ10-PH1701	SPACER		1	TH-P-CZ10-UE1801	TRIGGER		1
TH-P-CZ10-KM0530	HEX.SOC.HD.BOLT	M5×0.8 - 30L	4	TH-P-CZ10-PH1801	DISTANCE SET		1	TH-P-CZ10-UE3201	CYLINDER CAP		1
TH-P-CZ10-OA003A	O-RING	ARP568-003	1	TH-P-CZ10-PH1901	PUSHER		1	TH-P-CZ10-UE3301	EXHAUST CAP		1
TH-P-CZ10-OA004A	O-RING	ARP568-004	1	TH-P-CZ10-PH2001	MAGAZINE RETAINER		1	TH-P-CZ10-UG3501	PISTON STOP		1
TH-P-CZ10-OA126A	O-RING	ARP568-126	1	TH-P-CZ10-PH2101	FIXED PLATE		5	TH-P-CZ10-UH1401	TRIGGER STOP		1
TH-P-CZ10-OA204B	O-RING	ARP568-204	1	TH-P-CZ10-PH2201	SUPPORT		1	TH-P-CZ10-UH1501	SPRING		1
TH-P-CZ10-OB221A	O-RING	22×3	1	TH-P-CZ10-PH2301	COVER		1	TH-P-CZ10-YA0302	HEX BAR WRENCH	D3	1
TH-P-CZ10-OB271A	O-RING	26.8×2.4	1	TH-P-CZ10-PH2401	COMPRESSION SPRING		5	TH-P-CZ10-YE2501	E-RING	2.5	1
TH-P-CZ10-OP010A	O-RING	P10	1	TH-P-CZ10-PH2601	PUSHER PIN		2	TH-P-CZ10-YG0401	SPRING WASHER	4	1
TH-P-CZ10-OP012A	O-RING	P12	1	TH-P-CZ10-PH2701	PUSHER SPRING		2	TH-P-CZ10-YG0501	SPRING WASHER	5	4
TH-P-CZ10-OP016H	O-RING	15.8×2.4	1	TH-P-CZ10-PH2801	PIVOT		1	TH-P-CZ10-YL0508	LOCK NUT	M5×0.8	1

If you need to order parts, please mark both Parts No. and Description.