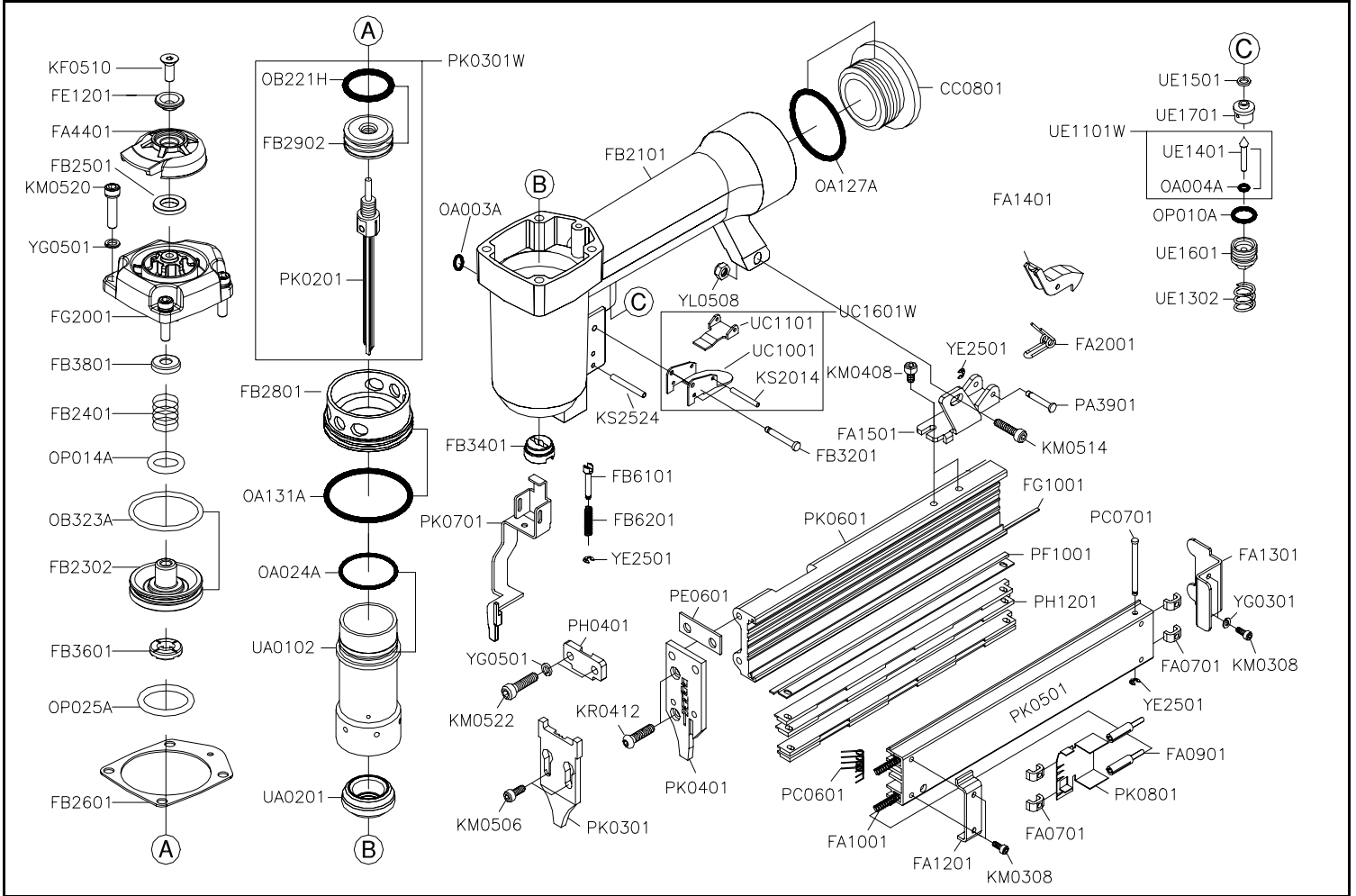


TH-T-AZ1



Parts No.	Description	Spec	Q'ty	Parts No.	Description	Spec	Q'ty	Parts No.	Description	Spec	Q'ty
TH-P-AZ1-CC0801	END CAP		1	TH-P-AZ1-KF0510	FLAT HD.BOLT	M5×0.8 - 10L	1	TH-P-AZ1-PH1201	FIXED PLATE		4
TH-P-AZ1-FA0701	STOPPER		4	TH-P-AZ1-KM0308	HEX.SOC.HD.BOLT	M3×0.5 - 8L	4	TH-P-AZ1-PK0201	DRIVER SET		1
TH-P-AZ1-FA0901	PUSHER PIN		2	TH-P-AZ1-KM0408	HEX.SOC.HD.BOLT	M4×0.7 - 8L	2	TH-P-AZ1-PK0301	COVER PLATE(B)		1
TH-P-AZ1-FA1001	PUSHER SPRING		2	TH-P-AZ1-KM0506	HEX.SOC.HD.BOLT	M5×0.8 - 6L	2	TH-P-AZ1-PK0301W	DRIVER ASSY.		1
TH-P-AZ1-FA1201	MAGAZINE RETAINER		1	TH-P-AZ1-KM0514	HEX.SOC.HD.BOLT	M5×0.8 - 14L	1	TH-P-AZ1-PK0401	GUIDE PLATE		1
TH-P-AZ1-FA1301	STOP PLATE		1	TH-P-AZ1-KM0520	HEX.SOC.HD.BOLT	M5×0.8 - 20L	4	TH-P-AZ1-PK0501	MAGAZINE CAP		1
TH-P-AZ1-FA1401	LATCH		1	TH-P-AZ1-KM0522	HEX.SOC.HD.BOLT	M5×0.8 - 22L	2	TH-P-AZ1-PK0601	MAGAZINE SEAT		1
TH-P-AZ1-FA1501	SUPPORT		1	TH-P-AZ1-KR0412	BUTTON HD.BOLT	M4×0.7 - 12L	2	TH-P-AZ1-PK0701	SAFETY		1
TH-P-AZ1-FA2001	SPRING		1	TH-P-AZ1-KS2014	SPRING PIN	2-14L	2	TH-P-AZ1-PK0801	PUSHER		1
TH-P-AZ1-FA4401	EXHAUST CAP		1	TH-P-AZ1-KS2524	SPRING PIN	2.5-24L	1	TH-P-AZ1-UA0102	CYLINDER		1
TH-P-AZ1-FB2101	BODY		1	TH-P-AZ1-OA003A	O-RING	ARP568-003	1	TH-P-AZ1-UA0201	BUMPER		1
TH-P-AZ1-FB2302	HEAD VALVE PISTON		1	TH-P-AZ1-OA004A	O-RING	ARP568-004	1	TH-P-AZ1-UC1001	TRIGGER		1
TH-P-AZ1-FB2401	COMPRESSION SPRING		1	TH-P-AZ1-OA024A	O-RING	ARP568-024	1	TH-P-AZ1-UC1101	CONTACT LEVER		1
TH-P-AZ1-FB2501	PISTON STOP		1	TH-P-AZ1-OA127A	O-RING	ARP568-127	1	TH-P-AZ1-UC1601W	TRIGGER ASSY.		1
TH-P-AZ1-FB2601	CAP SEAL		1	TH-P-AZ1-OA131A	O-RING	ARP568-131	1	TH-P-AZ1-UE1101W	TRIGGER VALVE ASSY.		1
TH-P-AZ1-FB2801	COLLAR		1	TH-P-AZ1-OB221H	O-RING	22.0×3.0	1	TH-P-AZ1-UE1302	COMPRESSION SPRING		1
TH-P-AZ1-FB2902	MAIN PISTON		1	TH-P-AZ1-OB323A	O-RING	31.8×2.4	1	TH-P-AZ1-UE1401	TRIGGER VALVE STEM		1
TH-P-AZ1-FB3201	PIN		1	TH-P-AZ1-OP010A	O-RING	P10	1	TH-P-AZ1-UE1501	SEAL		1
TH-P-AZ1-FB3401	NOZZLE		1	TH-P-AZ1-OP014A	O-RING	P14	1	TH-P-AZ1-UE1601	TRIGGER VALVE GUIDE		1
TH-P-AZ1-FB3601	PISTON STOP		1	TH-P-AZ1-OP025A	O-RING	P25(1A)	1	TH-P-AZ1-UE1701	TRIGGER VALVE SEAT		1
TH-P-AZ1-FB3801	PISTON STOP		1	TH-P-AZ1-PA3901	PIN		1	TH-P-AZ1-YE2501	E-RING	2.5	3
TH-P-AZ1-FB6101	SPRING SHAFT		1	TH-P-AZ1-PC0601	SPRING		4	TH-P-AZ1-YG0301	SPRING WASHER	3	2
TH-P-AZ1-FB6201	COMPRESSION SPRING		1	TH-P-AZ1-PC0701	PIN		1	TH-P-AZ1-YG0501	SPRING WASHER	5	6
TH-P-AZ1-FE1201	EXHAUST CAP RING		1	TH-P-AZ1-PE0601	SPACER		1	TH-P-AZ1-YL0508	LOCK NUT	M5×0.8	1
TH-P-AZ1-FG1001	BAR		1	TH-P-AZ1-PF1001	FIXED PLATE SEAT		4				
TH-P-AZ1-FG2001	CYLINDER CAP		1	TH-P-AZ1-PH4001	COVER PLATE(A)		1				

If you need to order parts, please mark both Parts No. and Description.