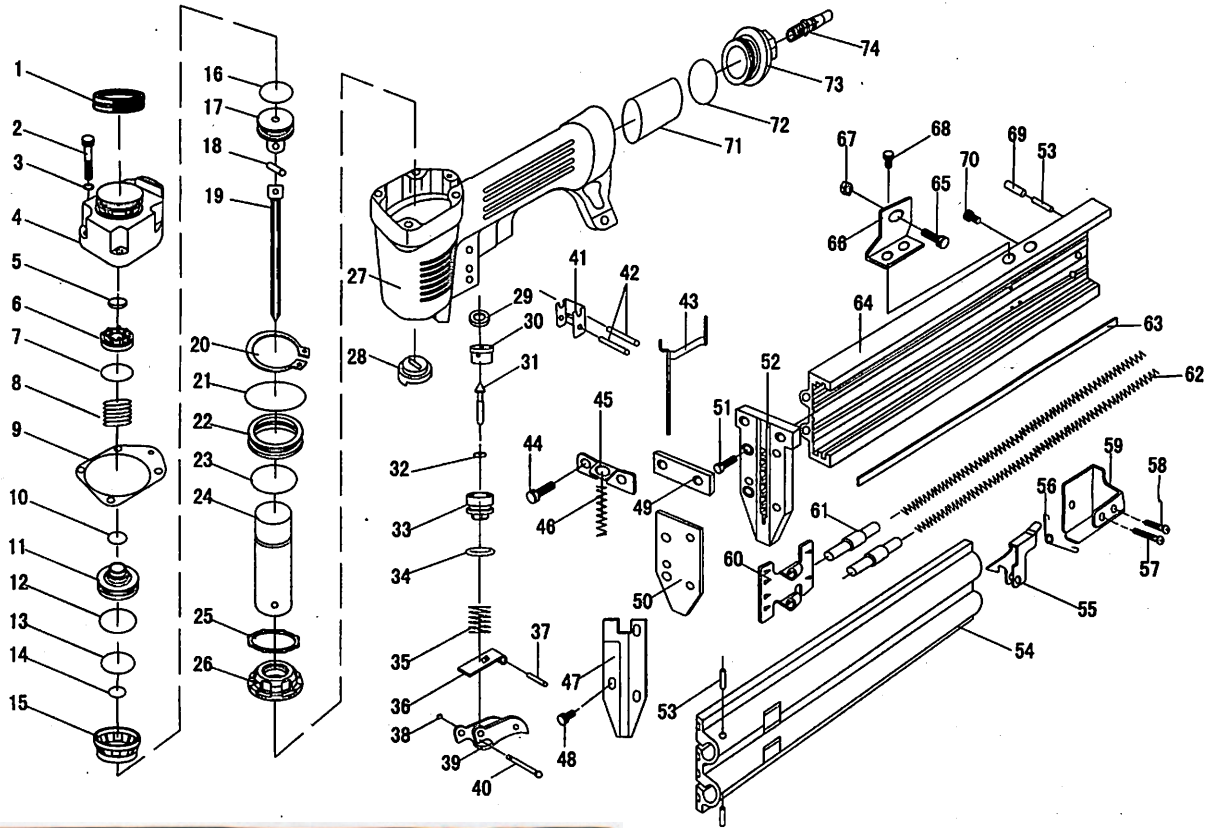


# TH-T-1850



## PARTS LIST

INDEX	PART NO	DESCRIPTION	SPECIFICATION	TOTAL QUANTITY
01	XAGD32X.01-01	Deflector		1
02	GB/T70.1-2000	Hex. Bolt	M5 X 25	4
03	GB/T93.1-1987	Washer	5	4
04	XBGD50X.01.01-A	Air Cap		1
05	XCKC50X.01-03	Seal		1
06	XCKC50X.01.02-01	Internal Lining		1
07	XCKC50X.01.02-02	O-Ring	23.7 X 1.5	1
08	XCKC50X.01-04	Spring		1
09	XAGD32X.01-05	Gasket		1
10	GB/T3452.1-1992	O-Ring	9.5 X 2.65	1
11	XCKC50X.01.01-01	Head Valve Piston		1
12	XCKC50X.01.01-03	O-Ring	31.5 X 2.4	1
13	XCKC50X.01.01-02	O-Ring	24.5 X 3.5	1
14	GB/T3452.1-1992	O-Ring	14 X 2.65	1
15	XAGD32X.02-02	Collar		1
16	XCGD32/9032X.02.01-04	O-Ring	22 X 3	1
17	XBGD50X.02.01A-02	Piston		1
18	XAGD32X.02.01-03	Pin	4 X 13	1
19	XBGD50X.02.01A-01	Driver Blade		1
20	GB/T894.2-86	Filter	32	1
21	GB/T3452.1-1992	O-Ring	41.2 X 2.65	1
22	XAGD50/9040II.02.02-01	Lining-Ring		1
23	GB/T3452.1-1992	O-Ring	31.5 X 2.65	1
24	XAGD50/9040II.02.03-01	Cylinder		1
25	XAGD50/9040II.02.03-03	Gasket		1
26	XAGD50/9040.02.03-02	Bumper		1
27	XAGD32X.02-01	Body		1
28	XBGD50X.02-03	Nozzle		1
29	XCKC50X.05-03	Seal		1
30	PEGD625.05-05	Switch Cap		1
31	XAGD50/9040II.05-03	Trigger Valve Stem		1
32	PEGD625.05-04	O-Ring	3.5 X 1.5	1
33	PEGD625.05-01	Trigger Valve Seat		1
34	PEGD625.05-02	O-Ring	11 X 2.1	1
35	XCKC50X.03.01-03	Spring		1
36	XCKC50/9040X.03.01-02	Trigger Plate		1
37	GB/T879.2-2000	Spring Pin		1
38	GB/T3452.1-1992	O-Ring	1.8 X 1.8	1
39	XAGD50/9040II.03.01-01	Trigger		1
40	XAGD32X.03.01-04	Pin	2.9 X 28.6	1
41	XAGD32/9032X.03-01	Safety Guide		1
42	GB/T879.2-2000	Spring Pin	3 X 25	2
43	XBGD50X.03-02	Safety		1
44	GB/T70.1-2000	Hex. Bolt	M5 X 22	2
45	XAGD32X.03-04	Spring Seat		1
46	XAGD32X.03-03	Spring		1
47	XAGD32/9032X.03-08	Safety Cover		1
48	GB/T70.1-2000	Hex. Bolt	M4 X 10	3
49	XAGD32X.03-05	Set Plate		1
50	XBGD50X.03-07	Work Contact Element		1
51	XCKC50X.03-07	Hex. Bolt	M4 X 16	2
52	XBGD50X.03-06	Driver Guide		1
53	GB/T879.2-2000	Spring Pin	2.5 X 12	3
54	XBGD50X.04-01B	Side Cover		1
55	XBGD50X.04-07	Click Lever		1

INDEX	PART NO	DESCRIPTION	SPECIFICATION	TOTAL QUANTITY
56	XBGB50X.04-09	Tortive Spring		1
57	GB/T818-2000	Set Screw	M4 X 30	1
58	GB/G818-2000	Set Screw	M4 X 16	1
59	XBGD50X.04-08	Tail Cover		1
60	XBGD50X.04-04	Pusher		1
61	XBGD50X.04-05	Spring Holder		2
62	XBGD50X.04-06	Spring		2
63	XBGD50X.04-03	Nail Guide		1
64	XBGD50X.04-02	Magazine		1
65	XBGD50X.04-10	Hex. Bolt	M5 X 20	1
66	GB/T70.1-2000	Tail Hanger		1
67	GB/T6172.2-2000	Lock Nut	M5	1
68	GB/T70.1-2000	Hex. Bolt	M4 X 8	2
69	GB/T879.2-2000	Spring Pin	4 X 12	1
70	GB/T70.1-2000	Hex. Bolt	M5 X 8	1
71	XAGD32X.02-04	Head Grip		1
72	XAGD32X.06-02	O-Ring	33 X 1.65	1
73	XAGD32X.06-01	End Cap		1
74		Air Plug		1