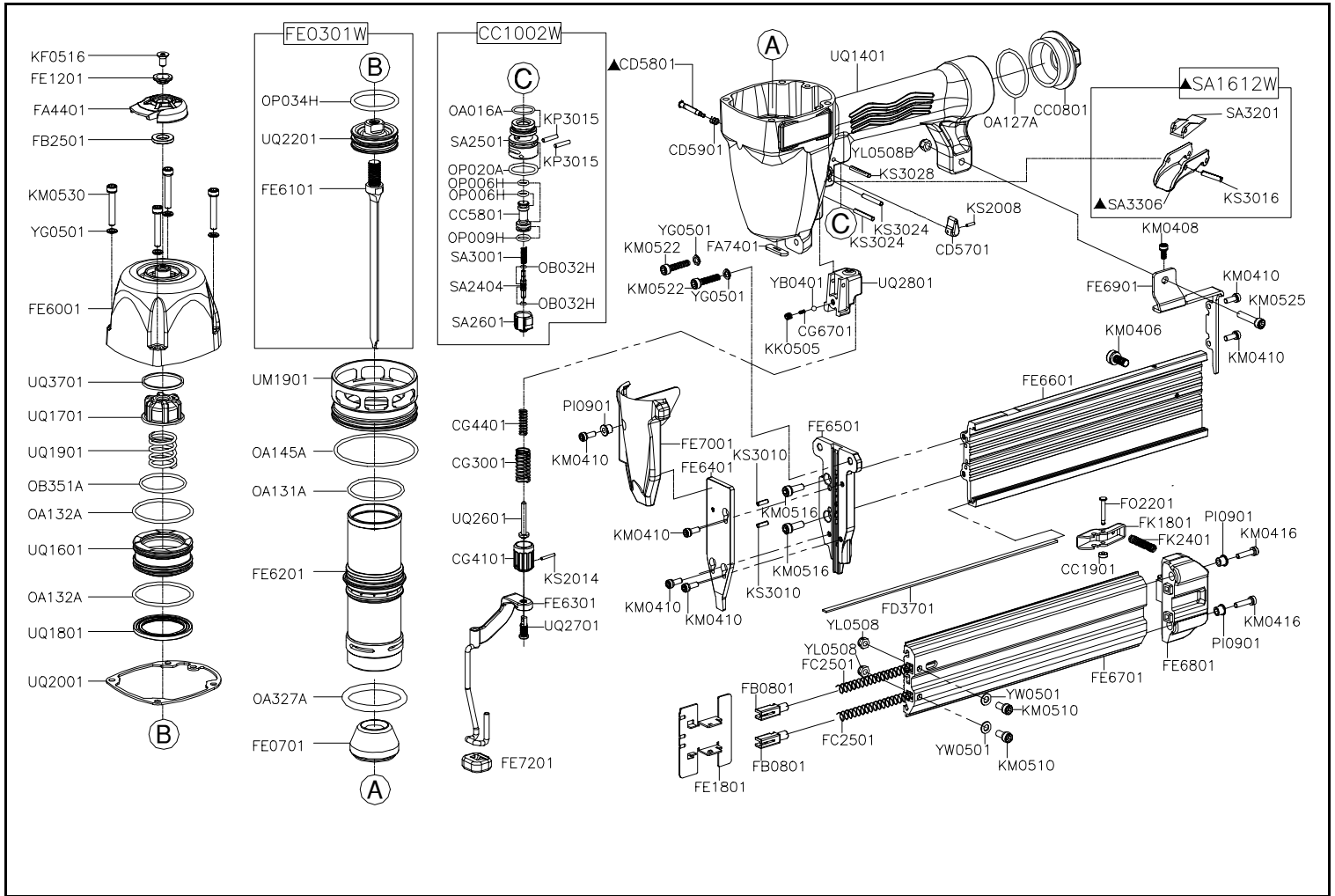


TH-T-1632



| Parts No. | Description | Spec | Q'ty | Parts No. | Description | Spec | Q'ty | Parts No. | Description | Spec | Q'ty |
|-------------------|---------------------|------|------|------------------|--------------------|--------------|------|-------------------|--------------------|----------|------|
| TH-P-1632-CC0801 | END CAP | | 1 | TH-P-1632-FE7001 | PLATE | | 1 | TH-P-1632-OP006H | O-RING | 5.8×1.9 | 2 |
| TH-P-1632-CC1002W | TRIGGER VALVE ASSY. | | 1 | TH-P-1632-FE7201 | SAFETY CUSHION | | 1 | TH-P-1632-OP009H | O-RING | 8.8×1.9 | 1 |
| TH-P-1632-CC1901 | BUSHING | | 1 | TH-P-1632-FK1801 | LATCH | | 1 | TH-P-1632-OP020A | O-RING | P20 | 1 |
| TH-P-1632-CC5801 | PILOT VALVE | | 1 | TH-P-1632-FK2401 | COMPRESSION SPRING | | 1 | TH-P-1632-OP034H | O-RING | 33.7×3.5 | 1 |
| TH-P-1632-CD5701 | REVOLVE BOTTON | | 1 | TH-P-1632-FO2201 | PIN | | 1 | TH-P-1632-PI0901 | PIVOT | | 3 |
| TH-P-1632-CD5801 | POLLER PIN | | 1 | TH-P-1632-KF0516 | FLAT HD.BOLT | M5×0.8 - 16L | 1 | TH-P-1632-SA1612W | TRIGGER ASSY. | | 1 |
| TH-P-1632-CD5901 | COMPRESSION SPRING | | 1 | TH-P-1632-KK0505 | HEX.SOC.SET SCREW | M5×0.8 - 5L | 1 | TH-P-1632-SA2404 | TRIGGER VALVE STEM | | 1 |
| TH-P-1632-CG3001 | COMPRESSION SPRING | | 1 | TH-P-1632-KM0406 | HEX.SOC.HD.BOLT | M4×0.7 - 6L | 1 | TH-P-1632-SA2501 | TRIGGER VALVE SEAT | | 1 |
| TH-P-1632-CG4101 | ADJUSTING WHEEL | | 1 | TH-P-1632-KM0408 | HEX.SOC.HD.BOLT | M4×0.7 - 8L | 1 | TH-P-1632-SA2601 | TRIGGER VALVE SEAT | | 1 |
| TH-P-1632-CG4401 | COMPRESSION SPRING | | 1 | TH-P-1632-KM0410 | HEX.SOC.HD.BOLT | M4×0.7 - 10L | 6 | TH-P-1632-SA3001 | COMPRESSION SPRING | | 1 |
| TH-P-1632-CG6701 | COMPRESSION SPRING | | 1 | TH-P-1632-KM0416 | HEX.SOC.HD.BOLT | M4×0.7 - 16L | 2 | TH-P-1632-SA3201 | CONTACT LEVER | | 1 |
| TH-P-1632-FA4401 | EXHAUST CAP | | 1 | TH-P-1632-KM0510 | HEX.SOC.HD.BOLT | M5×0.8 - 10L | 2 | TH-P-1632-SA3306 | TRIGGER | | 1 |
| TH-P-1632-FA7401 | NOZZLE | | 1 | TH-P-1632-KM0522 | HEX.SOC.HD.BOLT | M5×0.8 - 22L | 2 | TH-P-1632-UM1901 | COLLAR | | 1 |
| TH-P-1632-FB0801 | PUSHER PIN | | 2 | TH-P-1632-KM0525 | HEX.SOC.HD.BOLT | M5×0.8 - 25L | 1 | TH-P-1632-UQ1401 | BODY | | 1 |
| TH-P-1632-FB2501 | PISTON STOP | | 1 | TH-P-1632-KM0530 | HEX.SOC.HD.BOLT | M5×0.8 - 30L | 4 | TH-P-1632-UQ1601 | HEAD VALVE PISTON | | 1 |
| TH-P-1632-FC2501 | PUSHER SPRING | | 2 | TH-P-1632-KP3015 | PARALLEL PIN | 3×15L | 2 | TH-P-1632-UQ1701 | PISTON STOP | | 1 |
| TH-P-1632-FD3701 | BAR | | 1 | TH-P-1632-KS2008 | SPRING PIN | 2-8L | 1 | TH-P-1632-UQ1801 | HEAD VALVE SEAL | | 1 |
| TH-P-1632-FE0301W | DRIVER ASSY. | | 1 | TH-P-1632-KS2014 | SPRING PIN | 2-14L | 1 | TH-P-1632-UQ1901 | COMPRESSION SPRING | | 1 |
| TH-P-1632-FE0701 | BUMPER | | 1 | TH-P-1632-KS3010 | SPRING PIN | 3-10L | 2 | TH-P-1632-UQ2001 | CAP SEAL | | 1 |
| TH-P-1632-FE1201 | EXHAUST CAP RING | | 1 | TH-P-1632-KS3016 | SPRING PIN | 3-16L | 1 | TH-P-1632-UQ2201 | MAIN PISTON | | 1 |
| TH-P-1632-FE1801 | PUSHER | | 1 | TH-P-1632-KS3024 | SPRING PIN | 3-24L | 2 | TH-P-1632-UQ2601 | UPPER SAFETY | | 1 |
| TH-P-1632-FE6001 | CYLINDER CAP | | 1 | TH-P-1632-KS3028 | SPRING PIN | 3-28L | 1 | TH-P-1632-UQ2701 | SAFETY ADJUST PIN | | 1 |
| TH-P-1632-FE6101 | DRIVER | | 1 | TH-P-1632-OA016A | O-RING | ARP568-016 | 1 | TH-P-1632-UQ2801 | SAFETY SET | | 1 |
| TH-P-1632-FE6201 | CYLINDER | | 1 | TH-P-1632-OA127A | O-RING | ARP568-127 | 1 | TH-P-1632-UQ3701 | SPACER | | 1 |
| TH-P-1632-FE6301 | CONTACT ARM | | 1 | TH-P-1632-OA131A | O-RING | ARP568-131 | 1 | TH-P-1632-YB0401 | STEEL BALL | 4 | 1 |
| TH-P-1632-FE6401 | COVER PLATE | | 1 | TH-P-1632-OA132A | O-RING | ARP568-132 | 2 | TH-P-1632-YG0501 | SPRING WASHER | 5 | 6 |
| TH-P-1632-FE6501 | GUIDE PLATE | | 1 | TH-P-1632-OA145A | O-RING | ARP568-145 | 1 | TH-P-1632-YL0508 | LOCK NUT | M5×0.8 | 2 |
| TH-P-1632-FE6601 | MAGAZINE SEAT | | 1 | TH-P-1632-OA327A | O-RING | ARP568-327 | 1 | TH-P-1632-YL0508B | LOCK NUT | M5×0.8 | 1 |
| TH-P-1632-FE6701 | MAGAZINE CAP | | 1 | TH-P-1632-OB032H | O-RING | 2.5×1.4 | 2 | TH-P-1632-YW0501 | FLAT WASHER | 5 | 2 |
| TH-P-1632-FE6801 | COVER | | 1 | TH-P-1632-OB351A | O-RING | 35×2.5 | 1 | | | | |
| TH-P-1632-FE6901 | SUPPORT | | 1 | | | | | | | | |

If you need to order parts, please mark both Parts No. and Description.