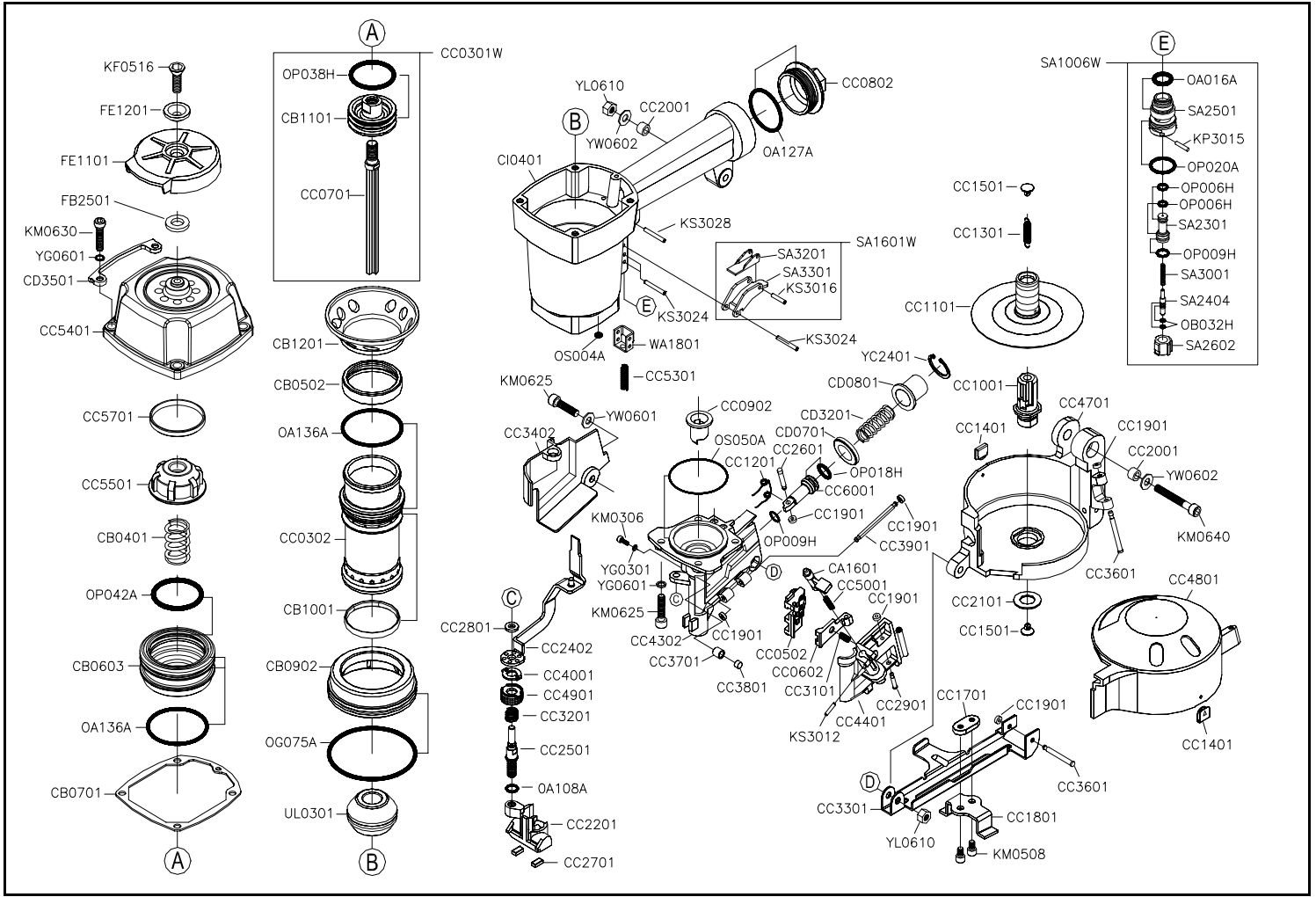


TH-T-R45



Parts No.	Description	Spec	Qty	Parts No.	Description	Spec	Qty	Parts No.	Description	Spec	Qty
TH-P-R45-CA1601	DOOR LATCH		1	TH-P-R45-CC3201	COMPRESSION SPRING		1	TH-P-R45-KS3016	SPRING PIN	3-16L	1
TH-P-R45-CB0401	COMPRESSION SPRING		1	TH-P-R45-CC3301	GAGE BRACKET		1	TH-P-R45-KS3024	SPRING PIN	3-24L	3
TH-P-R45-CB0502	CYLINDER RING		1	TH-P-R45-CC3402	TRIP COVER		1	TH-P-R45-KS3028	SPRING PIN	3-28L	1
TH-P-R45-CB0603	HEAD VALVE PISTON		1	TH-P-R45-CC3601	PIN		2	TH-P-R45-OA016A	O-RING	ARP568-016	1
TH-P-R45-CB0701	CAP SEAL		1	TH-P-R45-CC3701	SEAT		1	TH-P-R45-OA108A	O-RING	ARP568-108	1
TH-P-R45-CB0902	CYLINDER RING		1	TH-P-R45-CC3801	STEEL		1	TH-P-R45-OA127A	O-RING	ARP568-127	1
TH-P-R45-CB1001	CHECK SEAL		1	TH-P-R45-CC3901	PIN		1	TH-P-R45-OA136A	O-RING	ARP568-136	3
TH-P-R45-CB1101	MAIN PISTON		1	TH-P-R45-CC4001	FIXED SEAT		1	TH-P-R45-OB032H	O-RING	2.5x1.4	2
TH-P-R45-CB1201	COLLAR		1	TH-P-R45-CC4302	NOSE		1	TH-P-R45-OG075A	O-RING	G75	1
TH-P-R45-CC0301W	DRIVER ASSY.		1	TH-P-R45-CC4401	DOOR		1	TH-P-R45-OP006H	O-RING	5.8x1.9	2
TH-P-R45-CC0302	CYLINDER		1	TH-P-R45-CC4701	CANISTER		1	TH-P-R45-OP009H	O-RING	8.8x1.9	2
TH-P-R45-CC0502	FEED PAWL		1	TH-P-R45-CC4801	CANISTER COVER		1	TH-P-R45-OP018H	O-RING	17.8x2.4	1
TH-P-R45-CC0602	HOLDING PAWL		1	TH-P-R45-CC4901	ADJUSTING WHEEL		1	TH-P-R45-OP020A	O-RING	P20	1
TH-P-R45-CC0701	DRIVER		1	TH-P-R45-CC5001	COMPRESSION SPRING		1	TH-P-R45-OP038H	O-RING	37.7x3.5	1
TH-P-R45-CC0802	END CAP		1	TH-P-R45-CC5301	COMPRESSION SPRING		1	TH-P-R45-OP042A	O-RING	P42	1
TH-P-R45-CC0902	DRIVER GUIDE		1	TH-P-R45-CC5401	CYLINDER CAP		1	TH-P-R45-OS004A	O-RING	S-4	1
TH-P-R45-CC1001	MAGAZINE POST		1	TH-P-R45-CC5501	PISTON STOP		1	TH-P-R45-OS050A	O-RING	S-50	1
TH-P-R45-CC1101	PLATFORM ASSY.		1	TH-P-R45-CC5701	SPACER		1	TH-P-R45-SA1006W	RESTRICTIVE TRIGGER ASSY.		1
TH-P-R45-CC1201	SPRING		1	TH-P-R45-CC6001	FEED PISTON CAP		1	TH-P-R45-SA1601W	TRIGGER ASSY.		1
TH-P-R45-CC1301	PULL SPRING		1	TH-P-R45-CD0701	PISTON BUMPER		1	TH-P-R45-SA2301	PILOT VALVE		1
TH-P-R45-CC1401	WEAR CLIP		2	TH-P-R45-CD0801	FEED PISTON CAP		1	TH-P-R45-SA2404	TRIGGER VALVE STEM		1
TH-P-R45-CC1501	SPRING RECEIVER		2	TH-P-R45-CD3201	COMPRESSION SPRING		1	TH-P-R45-SA2501	TRIGGER VALVE SEAT		1
TH-P-R45-CC1701	NUT PLATE		1	TH-P-R45-CD3501	WEAR PLATE		2	TH-P-R45-SA2602	TRIGGER VALVE SEAT		1
TH-P-R45-CC1801	GAGE		1	TH-P-R45-CI0401	BODY		1	TH-P-R45-SA3001	COMPRESSION SPRING		1
TH-P-R45-CC1901	BUSHING		6	TH-P-R45-FB2501	PISTON STOP		1	TH-P-R45-SA3201	CONTACT LEVER		1
TH-P-R45-CC2001	BUSHING		2	TH-P-R45-FE1101	EXHAUST CAP		1	TH-P-R45-SA3301	TRIGGER		1
TH-P-R45-CC2101	RETAINER POST		1	TH-P-R45-FE1201	EXHAUST CAP RING		1	TH-P-R45-UL0301	BUMPER		1
TH-P-R45-CC2201	TRIP FOOT		1	TH-P-R45-KF0516	FLAT HD.BOLT	M5x0.8 - 16L	1	TH-P-R45-WA1801	SAFETY GUIDE		1
TH-P-R45-CC2402	SAFETY		1	TH-P-R45-KM0306	HEX.SOC.HD.BOLT	M3x0.5 - 6L	1	TH-P-R45-YC2401	C-RING	24	1
TH-P-R45-CC2501	ADJUSTING PIN		1	TH-P-R45-KM0508	HEX.SOC.HD.BOLT	M5x0.8 - 8L	2	TH-P-R45-YG0301	SPRING WASHER	3	1
TH-P-R45-CC2601	PIN		1	TH-P-R45-KM0625	HEX.SOC.HD.BOLT	M6x1.0 - 25L	5	TH-P-R45-YG0601	SPRING WASHER	6	8
TH-P-R45-CC2701	BLOCK		2	TH-P-R45-KM0630	HEX.SOC.HD.BOLT	M6x1.0 - 30L	4	TH-P-R45-YL0610	LOCK NUT	M6x1.0	2
TH-P-R45-CC2801	BUSHING		1	TH-P-R45-KM0640	HEX.SOC.HD.BOLT	M6x1.0 - 40L	1	TH-P-R45-YW0601	FLAT WASHER	6	1
TH-P-R45-CC2901	PIN		1	TH-P-R45-KP3015	PARALLEL PIN	3x15L	2	TH-P-R45-YW0602	FLAT WASHER	6	2
TH-P-R45-CC3101	COMPRESSION SPRING		1	TH-P-R45-KS3012	SPRING PIN	3-12L	1				

If you need to order parts, please mark both Parts No. and Description.