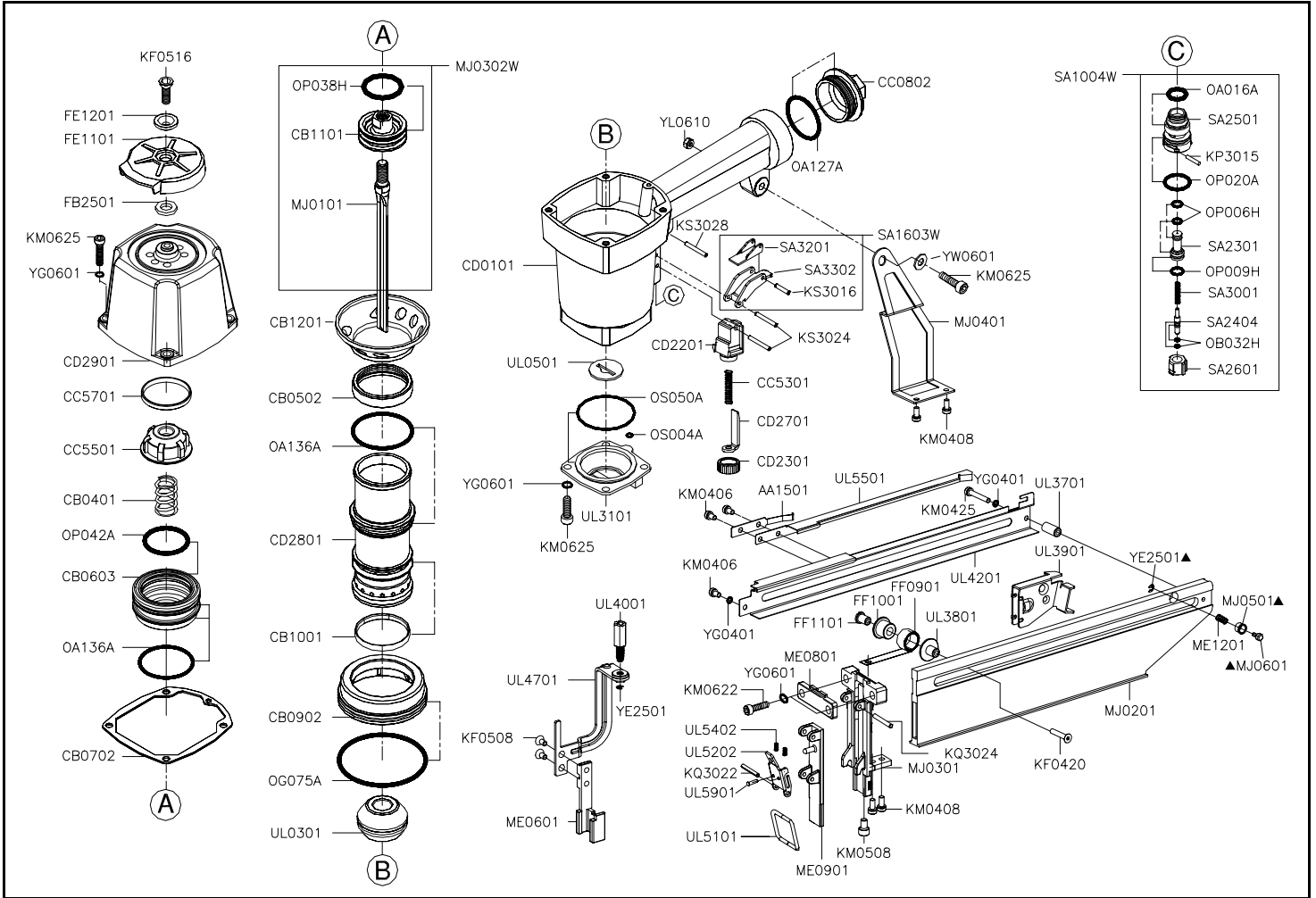


TH-T-Q55



Parts No.	Description	Spec	Q'ty	Parts No.	Description	Spec	Q'ty	Parts No.	Description	Spec	Q'ty
TH-P-Q55-AA1501	SPRING		1	TH-P-Q55-KM0508	HEX.SOC.HD.BOLT	M5×0.8 - 8L	1	TH-P-Q55-OS050A	O-RING	S-50	1
TH-P-Q55-CB0401	COMPRESSION SPRING		1	TH-P-Q55-KM0622	HEX.SOC.HD.BOLT	M6×1.0 - 22L	2	TH-P-Q55-SA1004W	RESTRICTIVE TRIGGER ASSY.		1
TH-P-Q55-CB0502	CYLINDER RING		1	TH-P-Q55-KM0625	HEX.SOC.HD.BOLT	M6×1.0 - 25L	9	TH-P-Q55-SA1603W	TRIGGER ASSY.		1
TH-P-Q55-CB0603	HEAD VALVE PISTON		1	TH-P-Q55-KP3015	PARALLEL PIN	3×15L	2	TH-P-Q55-SA2301	PILOT VALVE		1
TH-P-Q55-CB0702	CAP SEAL		1	TH-P-Q55-KQ3022	SPRING PIN	3×22L	1	TH-P-Q55-SA2404	TRIGGER VALVE STEM		1
TH-P-Q55-CB0902	CYLINDER RING		1	TH-P-Q55-KQ3024	SPRING PIN	3×24L	1	TH-P-Q55-SA2501	TRIGGER VALVE SEAT		1
TH-P-Q55-CB1001	CHECK SEAL		1	TH-P-Q55-KS3016	SPRING PIN	3-16L	1	TH-P-Q55-SA2601	TRIGGER VALVE SEAT		1
TH-P-Q55-CB1101	MAIN PISTON		1	TH-P-Q55-KS3024	SPRING PIN	3-24L	2	TH-P-Q55-SA3001	COMPRESSION SPRING		1
TH-P-Q55-CB1201	COLLAR		1	TH-P-Q55-KS3028	SPRING PIN	3-28L	1	TH-P-Q55-SA3201	CONTACT LEVER		1
TH-P-Q55-CC0802	END CAP		1	TH-P-Q55-ME0601	WORK CONTACTING ELEMENT		1	TH-P-Q55-SA3302	TRIGGER		1
TH-P-Q55-CC5301	COMPRESSION SPRING		1	TH-P-Q55-ME0801	COVER PLATE(A)		1	TH-P-Q55-UL0301	BUMPER		1
TH-P-Q55-CC5501	PISTON STOP		1	TH-P-Q55-ME0901	ADJUSTABLE PLATE		1	TH-P-Q55-UL0501	NOZZLE		1
TH-P-Q55-CC5701	SPACER		1	TH-P-Q55-ME1201	COMPRESSION SPRING		1	TH-P-Q55-UL3101	SIDE PLATE(L.H.)		1
TH-P-Q55-CD0101	BODY		1	TH-P-Q55-MJ0101	DRIVER		1	TH-P-Q55-UL3701	DISTANCE SHAFT		1
TH-P-Q55-CD2201	SAFETY SET		1	TH-P-Q55-MJ0201	MAGAZINE SEAT		1	TH-P-Q55-UL3801	PUSHER PIN		1
TH-P-Q55-CD2301	ADJUSTING WHEEL		1	TH-P-Q55-MJ0301	GUIDE PLATE		1	TH-P-Q55-UL3901	PUSHER		1
TH-P-Q55-CD2701	SAFETY		1	TH-P-Q55-MJ0302W	DRIVER ASSY.		1	TH-P-Q55-UL4001	ADJUSTING PIN		1
TH-P-Q55-CD2801	CYLINDER		1	TH-P-Q55-MJ0401	SUPPORT		1	TH-P-Q55-UL4201	COVER MAGAZINE(A)		1
TH-P-Q55-CD2901	CYLINDER CAP		1	TH-P-Q55-MJ0501	LATCH STUD BUSHING		1	TH-P-Q55-UL4701	WORK CONTACTING ELEMENT(B)		1
TH-P-Q55-FB2501	PISTON STOP		1	TH-P-Q55-MJ0601	STOP PIN		1	TH-P-Q55-UL5101	FIXED PIN		1
TH-P-Q55-FE1101	EXHAUST CAP		1	TH-P-Q55-OA016A	O-RING	ARP568-016	1	TH-P-Q55-UL5202	SUPPORT SET		1
TH-P-Q55-FE1201	EXHAUST CAP RING		1	TH-P-Q55-OA127A	O-RING	ARP568-127	1	TH-P-Q55-UL5402	COMPRESSION SPRING		2
TH-P-Q55-FF0901	PUSHER SPRING		1	TH-P-Q55-OA136A	O-RING	ARP568-136	3	TH-P-Q55-UL5501	COVER MAGAZINE(B)		1
TH-P-Q55-FF1001	ROLLER		1	TH-P-Q55-OB032H	O-RING	2.5×1.4	2	TH-P-Q55-UL5901	SHAFT		2
TH-P-Q55-FF1101	ROLLER ANCHOR		1	TH-P-Q55-OG075A	O-RING	G75	1	TH-P-Q55-YE2501	E-RING	2.5	2
TH-P-Q55-KF0420	FLAT HD.BOLT	M4×0.7 - 20L	1	TH-P-Q55-OP006H	O-RING	5.8×1.9	2	TH-P-Q55-YG0401	SPRING WASHER	4	2
TH-P-Q55-KF0508	FLAT HD.BOLT	M5×0.8 - 8L	2	TH-P-Q55-OP009H	O-RING	8.8×1.9	1	TH-P-Q55-YG0601	SPRING WASHER	6	10
TH-P-Q55-KF0516	FLAT HD.BOLT	M5×0.8 - 16L	1	TH-P-Q55-OP020A	O-RING	P20	1	TH-P-Q55-YL0610	LOCK NUT	M6×1.0	1
TH-P-Q55-KM0406	HEX.SOC.HD.BOLT	M4×0.7 - 6L	3	TH-P-Q55-OP038H	O-RING	37.7×3.5	1	TH-P-Q55-YW0601	FLAT WASHER	6	1
TH-P-Q55-KM0408	HEX.SOC.HD.BOLT	M4×0.7 - 8L	4	TH-P-Q55-OP042A	O-RING	P42	1				
TH-P-Q55-KM0425	HEX.SOC.HD.BOLT	M4×0.7 - 25L	1	TH-P-Q55-OS004A	O-RING	S-4	1				

If you need to order parts, please mark both Parts No. and Description.