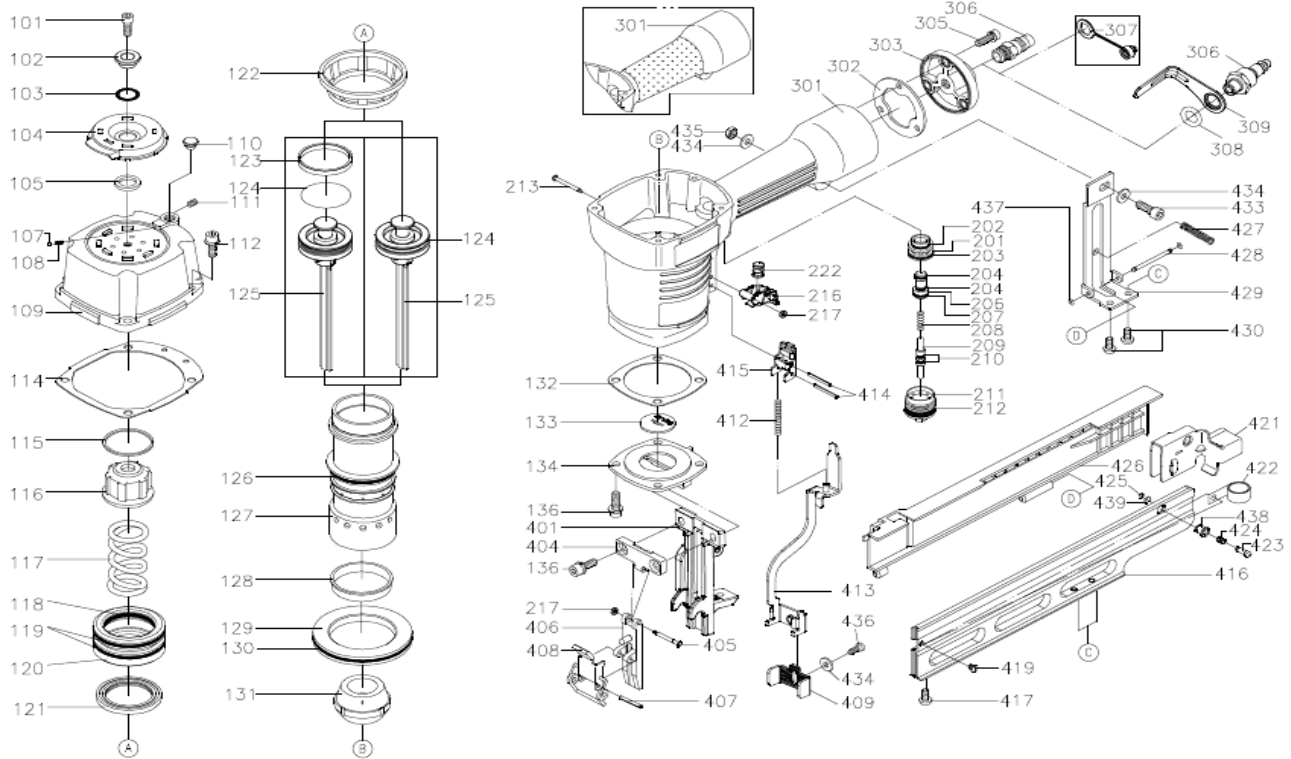


TH-T-N45

16 GA. HEAVY WIRE STAPLER



ITEM	PARTS NO.	PARTS NAME	ITEM	PARTS NO.	PARTS NAME
101	TH-T-N45-101	HEX.SOC.HD.BOLT	211	TH-T-N45-211	PLUNGER CAP
102	TH-T-N45-102	WASHER	212	TH-T-N45-212	O - RING
103	TH-T-N45-103	O - RING	213	TH-T-N45-213	TRIGGER PIVOT PIN
104	TH-T-N45-104	DEFLECTOR	216	TH-T-N45-216	TRIGGER UNIT
105	TH-T-N45-105	RUBBER PAD	217	TH-T-N45-217	URETHANE RETAINER
107	TH-T-N45-107	BALL	222	TH-T-N45-222	SPRING
108	TH-T-N45-108	POSITIONING SPRING	301	TH-T-N45-301	GUN BODY UNIT
109	TH-T-N45-109	CAP	302	TH-T-N45-302	GASKET
110	TH-T-N45-110	GROMMET	303	TH-T-N45-303	END CAP
111	TH-T-N45-111	HEX.SOC.HD.SCREW	305	TH-T-N45-305	BOLT ASSY
112	TH-T-N45-112	BOLT ASSY	306	TH-T-N45-306	AIR PLUG
114	TH-T-N45-114	CYLINDER CAP SEAL	401	TH-T-N45-401	DRIVER GUIDE
115	TH-T-N45-115	GASKET	404	TH-T-N45-404	DRIVER GUIDE COVER B
116	TH-T-N45-116	SEAL	405	TH-T-N45-405	FIXED PIN
117	TH-T-N45-117	COMPRESSION SPRING	406	TH-T-N45-406	DRIVER GUIDE COVER A
118	TH-T-N45-118	O - RING	407	TH-T-N45-407	SPIRAL PINS
119	TH-T-N45-119	O - RING	408	TH-T-N45-408	LOCK HANDLE UNIT
120	TH-T-N45-120	HD.VALVE PISTON	409	TH-T-N45-409	SAFETY A
121	TH-T-N45-121	COLLAR	412	TH-T-N45-412	SAFETY SPRING
122	TH-T-N45-122	CYLINDER PRESS RING	413	TH-T-N45-413	SAFETY B
123	TH-T-N45-123	PISTON RING	414	TH-T-N45-414	SPRING PIN
124	TH-T-N45-124	O - RING	415	TH-T-N45-415	SAFETY GUIDE
125	TH-T-N45-125	DRIVER UNIT	416	TH-T-N45-416	MAGAZINE A
126	TH-T-N45-126	O - RING	417	TH-T-N45-417	HALF ROUND HD.HEX.BOLT
127	TH-T-N45-127	CYLINDER	419	TH-T-N45-419	SPECIAL SCREW
128	TH-T-N45-128	CYLINDER RING	421	TH-T-N45-421	PUSHER
129	TH-T-N45-129	CYLINDER SPACER	422	TH-T-N45-422	SPRING
130	TH-T-N45-130	O - RING	423	TH-T-N45-423	DOOR LATCH
131	TH-T-N45-131	BUMPER	424	TH-T-N45-424	LATCH SPRING
132	TH-T-N45-132	GASKET	425	TH-T-N45-425	E - RING
133	TH-T-N45-133	DRIVER GUIDE	426	TH-T-N45-426	MOUNTING BRACKET
134	TH-T-N45-134	BASE	427	TH-T-N45-427	SPRING
136	TH-T-N45-136	BOLT ASSY	428	TH-T-N45-428	HINGE POINT
201	TH-T-N45-201	TRIGGER VALVE HEAD	429	TH-T-N45-429	BRACKET
202	TH-T-N45-202	O - RING	430	TH-T-N45-430	HALF ROUND HD.HEX.BOLT
203	TH-T-N45-203	O - RING	433	TH-T-N45-433	HEX.SOC.HD.BOLT
204	TH-T-N45-204	O - RING	434	TH-T-N45-434	FLAT WASHER
206	TH-T-N45-206	VALVE PLUNGER	435	TH-T-N45-435	LOCK NUT
207	TH-T-N45-207	O - RING	436	TH-T-N45-436	HEX.SOC.HD.BOLT
208	TH-T-N45-208	SPRING	437	TH-T-N45-437	O - RING
209	TH-T-N45-209	PLUNGER	438	TH-T-N45-438	LATCH SPRING BUSHING
210	TH-T-N45-210	O - RING	439	TH-T-N45-439	RING