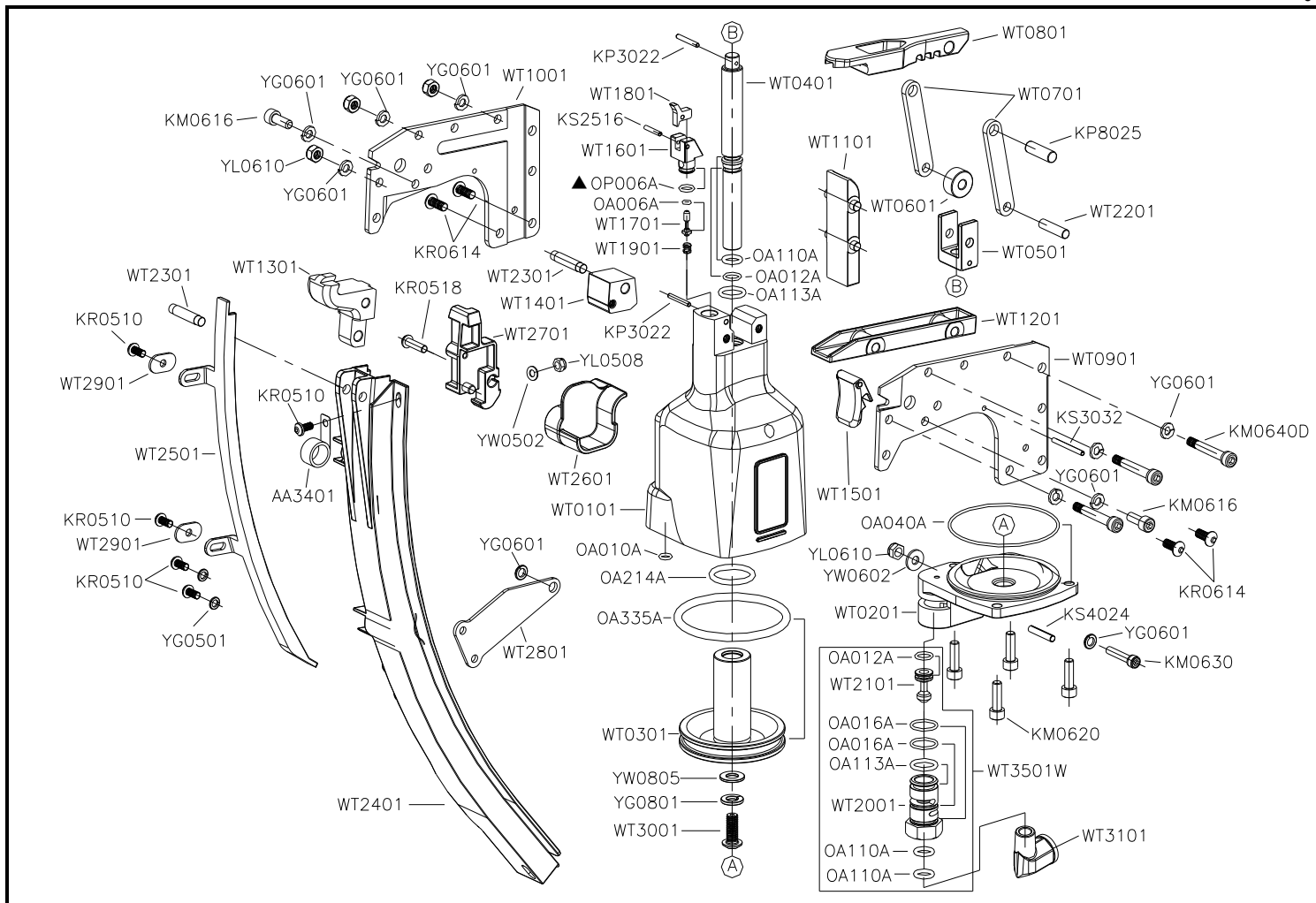


# TH-T-M85B

e



Parts No.	Description	Spec	Q'ty	Parts No.	Description	Spec	Q'ty	Parts No.	Description	Spec	Q'ty
TH-P-M85B-AA3401	PUSHER SPRING		1	▲ TH-P-M85B-OP006A	O-RING	P6	1	TH-P-M85B-WT2201	PIVOT		1
TH-P-M85B-KM0616	HEX.SOC.HD.BOLT	M6×1.0 – 16L	2	TH-P-M85B-WT0101	BODY		1	TH-P-M85B-WT2301	PIVOT		2
TH-P-M85B-KM0620	HEX.SOC.HD.BOLT	M6×1.0 – 20L	4	TH-P-M85B-WT0201	END CAP		1	TH-P-M85B-WT2401	NAIL SEAT		1
TH-P-M85B-KM0630	HEX.SOC.HD.BOLT	M6×1.0 – 30L	1	TH-P-M85B-WT0301	MAIN PISTON		1	TH-P-M85B-WT2501	MAGAZINE COVER		1
TH-P-M85B-KM0640D	HEX.SOC.HD.BOLT	M6×1.0 – 40L	3	TH-P-M85B-WT0401	PISTON ROD		1	TH-P-M85B-WT2601	PUSHER BRACKET		1
TH-P-M85B-KP3022	PARALLEL PIN	∅ 3×22L	2	TH-P-M85B-WT0501	YOKE-PISTON ROD		1	TH-P-M85B-WT2701	PUSHER		1
TH-P-M85B-KP8025	PARALLEL PIN	∅ 8×25L	1	TH-P-M85B-WT0601	PIVOT		1	TH-P-M85B-WT2801	SUPPORT		1
TH-P-M85B-KR0510	BUTTON HD.BOLT	M5×0.8 – 10L	5	TH-P-M85B-WT0701	LINK		2	TH-P-M85B-WT2901	SPACER		2
TH-P-M85B-KR0518	BUTTON HD.BOLT	M5×0.8 – 18L	1	TH-P-M85B-WT0801	DRIVER BLADE		1	TH-P-M85B-WT3001	BUTTON HD.BOLT		1
TH-P-M85B-KR0614	BUTTON HD.BOLT	M6×1.0 – 14L	4	TH-P-M85B-WT0901	SIDE PLATE(L.H.)		1	TH-P-M85B-WT3101	ELBOW		1
TH-P-M85B-KS2516	SPRING PIN	∅ 2.5-16L	1	TH-P-M85B-WT1001	SIDE PLATE(R.H.)		1	TH-P-M85B-WT3501W	MAIN VALVE ASSY.		1
TH-P-M85B-KS3032	SPRING PIN	∅ 3-32L	1	TH-P-M85B-WT1101	TOP PLATE CASTING-MACHINED		1	TH-P-M85B-YG0501	SPRING WASHER	∅ 5	2
TH-P-M85B-KS4024	SPRING PIN	∅ 4-24L	1	TH-P-M85B-WT1201	FRONT PLATE		1	TH-P-M85B-YG0601	SPRING WASHER	∅ 6	10
TH-P-M85B-OA006A	O-RING	ARP568-006	1	TH-P-M85B-WT1301	ANVIL		1	TH-P-M85B-YG0801	SPRING WASHER	∅ 8	1
▲ TH-P-M85B-OA010A	O-RING	ARP568-010	1	TH-P-M85B-WT1401	BLADE GUIDE		1	TH-P-M85B-YL0508	LOCK NUT	M5×0.8	1
TH-P-M85B-OA012A	O-RING	ARP568-012	2	TH-P-M85B-WT1501	TRIGGER		1	TH-P-M85B-YL0610	LOCK NUT	M6×1.0	4
TH-P-M85B-OA016A	O-RING	ARP568-016	2	TH-P-M85B-WT1601	PILOT VALVE BODY		1	TH-P-M85B-YW0502	FLAT WASHER	∅ 5	1
TH-P-M85B-OA040A	O-RING	ARP568-040	1	TH-P-M85B-WT1701	VALVE STEM		1	TH-P-M85B-YW0602	FLAT WASHER	∅ 6	1
TH-P-M85B-OA110A	O-RING	ARP568-110	3	TH-P-M85B-WT1801	VALVE LEVER		1	TH-P-M85B-YW0805	FLAT WASHER	∅ 8	1
TH-P-M85B-OA113A	O-RING	ARP568-113	2	TH-P-M85B-WT1901	COMPRESSION SPRING		1				
TH-P-M85B-OA214A	O-RING	ARP568-214	1	TH-P-M85B-WT2001	MAIN VALVE BODY		1				
TH-P-M85B-OA335A	O-RING	ARP568-335	1	TH-P-M85B-WT2101	VALVE PISTON		1				

★☆☆ If you need to order parts, please mark both Parts No. and Description. ☆☆☆