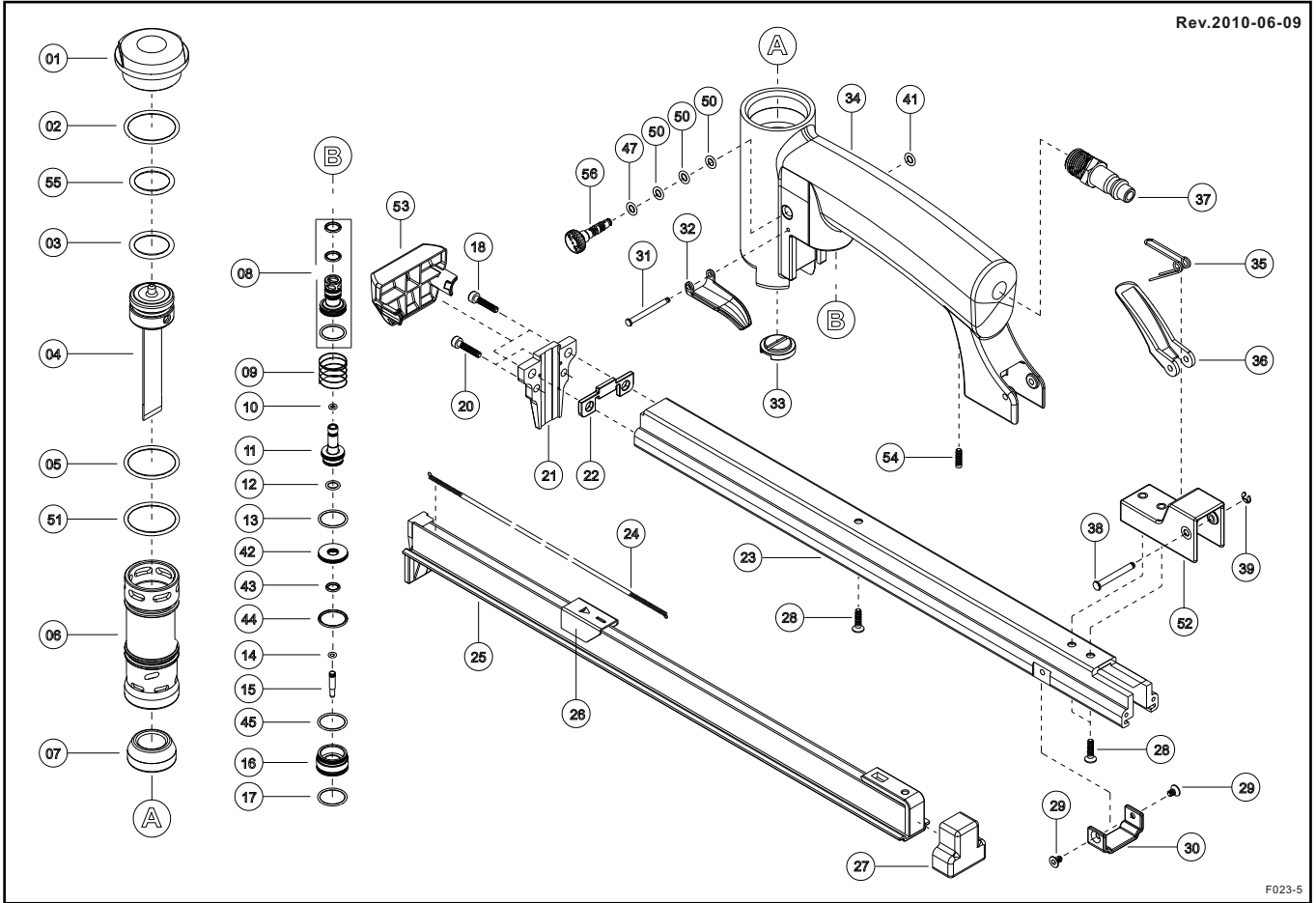


TH-T-FW10B-A-XL

Rev.2010-06-09



F023-5

TH-T-FW10B-A-XL

No.	Part NO.	Name	Pcs
1	TH-P-FW10B-A-XL-18015	Hammer Cap Hammer	1
2	TH-P-FW10B-A-XL-90000	O-Ring	1
3	TH-P-FW10B-A-XL-90001	O-Ring (Piston)	1
4	TH-P-FW10B-A-XL-16020-1	Piston Ram Assembly	1
5	TH-P-FW10B-A-XL-90000	O-Ring	1
6	TH-P-FW10B-A-XL-18040	Cylinder (Auto Series)	1
7	TH-P-FW10B-A-XL-18050	Bumper	1
8	TH-P-FW10B-A-XL-18060-1	Trigger Valve Kit	1
9	TH-P-FW10B-A-XL-18070	Trigger Valve Spring	1
10	TH-P-FW10B-A-XL-90055	O-Ring	1
11	TH-P-FW10B-A-XL-18090	Trigger Valve (Auto Series)	1
12	TH-P-FW10B-A-XL-90006	O-Ring (Trigger Valve/Auto)	1
13	TH-P-FW10B-A-XL-90008	O-Ring (Trigger Valve/Auto)	1
14	TH-P-FW10B-A-XL-90009	O-Ring	1
15	TH-P-FW10B-A-XL-18110	Trigger Valve Stem (Auto Series)	1
16	TH-P-FW10B-A-XL-18130	Trigger Valve Guide (Auto Series)	1
17	TH-P-FW10B-A-XL-90007	O-Ring	1
18	TH-P-FW10B-A-XL-91000-1	Hex.HD Soc Screw + Spring Washer	1
20	TH-P-FW10B-A-XL-91001	Hex.HD Soc Screw	1
21	TH-P-FW10B-A-XL-16140	Nose	1
22	TH-P-FW10B-A-XL-18150	Nose Plate	1
23	TH-P-FW10B-A-XL-16161	Magazine Cover	1
24	TH-P-FW10B-A-XL-18171	Pusher Spring	1
25	TH-P-FW10B-A-XL-16181	Magazine	1
26	TH-P-FW10B-A-XL-16190	Pusher	1

No.	Part NO.	Name	Pcs
27	TH-P-FW10B-A-XL-18200	Rear Magazine Bumper	1
28	TH-P-FW10B-A-XL-93001	Hex. Soc. FT HD Screw	3
29	TH-P-FW10B-A-XL-93003	Hex. Soc. FT HD Screw	2
30	TH-P-FW10B-A-XL-18210	Magazine Retainer	1
31	TH-P-FW10B-A-XL-18220	Pin	1
32	TH-P-FW10B-A-XL-18230	Trigger	1
33	TH-P-FW10B-A-XL-18240	Seal	1
34	TH-P-FW10B-A-XL-18260	Gun Body (Auto Series)	1
35	TH-P-FW10B-A-XL-18271	Magazine Latch Spring	1
36	TH-P-FW10B-A-XL-18281	Magazine Latch	1
37	TH-P-FW10B-A-XL-94001-1	Air Plug	1
38	TH-P-FW10B-A-XL-18291	Pin	1
39	TH-P-FW10B-A-XL-95001	E-Ring	1
41	TH-P-FW10B-A-XL-90010	O-Ring	1
42	TH-P-FW10B-A-XL-18310	Trigger Valve plate (Auto Series Only)	1
43	TH-P-FW10B-A-XL-90005	O-Ring Trigger (Auto Series Only)	1
47	TH-P-FW10B-A-XL-90012	O-Ring (Auto Series Only)	1
50	TH-P-FW10B-A-XL-90014	O-Ring (Auto Series Only)	3
51	TH-P-FW10B-A-XL-90015	O-Ring	1
52	TH-P-FW10B-A-XL-18340	Latch Bracket	1
53	TH-P-FW10B-A-XL-18330	Nose Cover	1
54	TH-P-FW10B-A-XL-99002	Bolt	1
55	TH-P-FW10B-A-XL-90087	O-Ring (Cap)	1
56	TH-P-FW10B-A-XL-18321-1	Automatic Adjust Knob (Auto Series Only)	1

Rev.2010-06-09