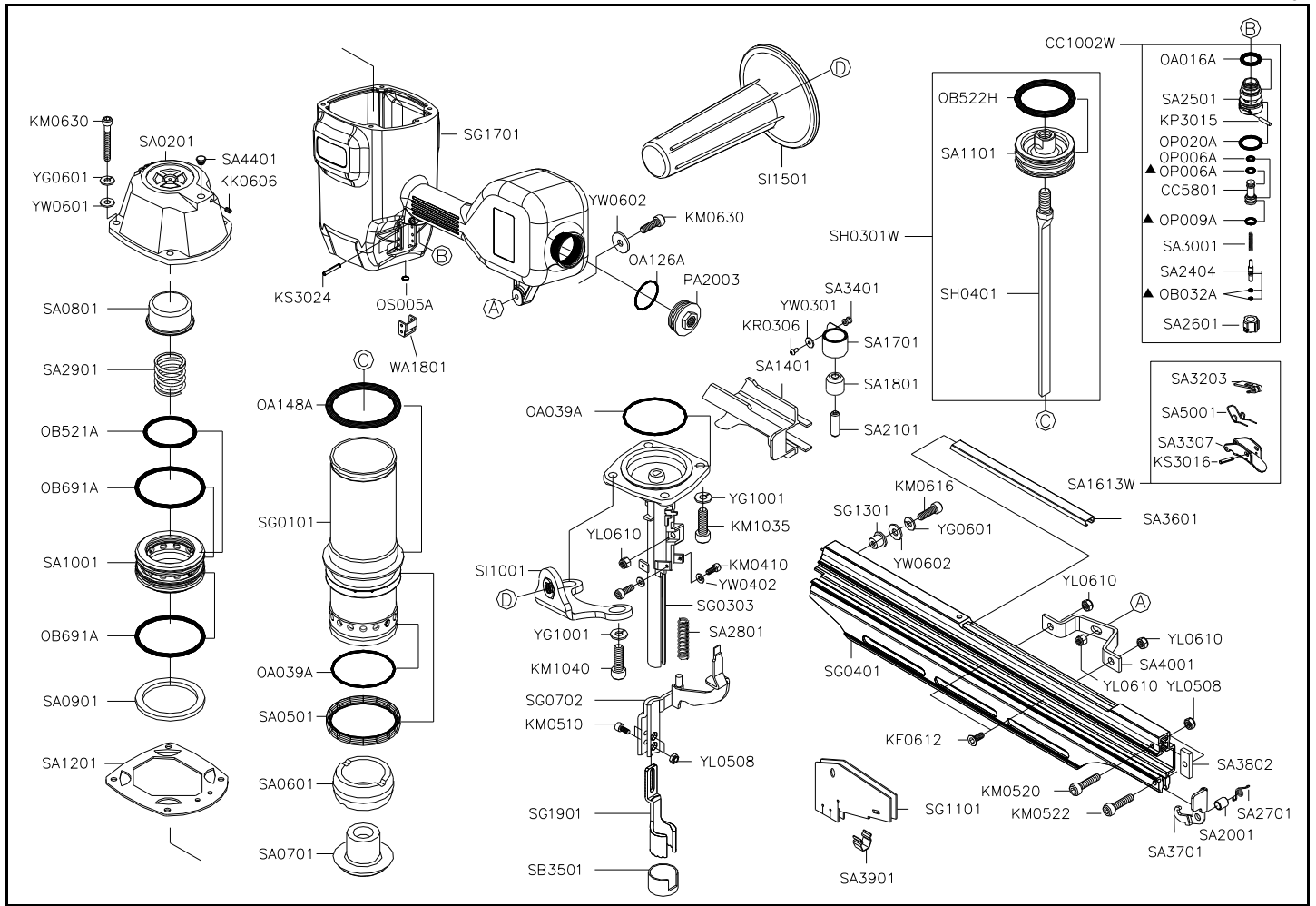


# TH-T-FN130-21



Parts No.	Description	Spec	Q'ty	Parts No.	Description	Spec	Q'ty	Parts No.	Description	Spec	Q'ty
TH-P-FN130-21-CC1002W	TRIGGER VALVE ASSY.		1	TH-P-FN130-21-SA0501	CHECK SEAL		1	TH-P-FN130-21-SA5001	SPRING		1
TH-P-FN130-21-CC5801	PILOT VALVE		1	TH-P-FN130-21-SA0601	TOP BUMPER		1	TH-P-FN130-21-SB3501	SAFETY CUSHION		1
TH-P-FN130-21-KF0612	FLAT HD.BOLT	M6×1.0-12L	2	TH-P-FN130-21-SA0701	BOTTOM BUMPER		1	TH-P-FN130-21-SG0101	CYLINDER		1
TH-P-FN130-21-KK0606	HEX.SOC.SET SCREW	M6×1.0-6L	1	TH-P-FN130-21-SA0801	PISTON STOP		1	TH-P-FN130-21-SG0303	NOSE		1
TH-P-FN130-21-KM0410	HEX.SOC.HD.BOLT	M4×0.7-10L	2	TH-P-FN130-21-SA0901	HEAD VALVE SEAL		1	TH-P-FN130-21-SG0401	MAGAZINE SEAT		1
TH-P-FN130-21-KM0510	HEX.SOC.HD.BOLT	M5×0.8-10L	2	TH-P-FN130-21-SA1001	HEAD VALVE PISTON		1	TH-P-FN130-21-SG0702	SAFETY		1
TH-P-FN130-21-KM0520	HEX.SOC.HD.BOLT	M5×0.8-20L	1	TH-P-FN130-21-SA1101	MAIN PISTON		1	TH-P-FN130-21-SG1101	DUST SHIELD		1
TH-P-FN130-21-KM0522	HEX.SOC.HD.BOLT	M5×0.8-22L	1	TH-P-FN130-21-SA1201	CAP SEAL		1	TH-P-FN130-21-SG1301	SCREW SEAT		1
TH-P-FN130-21-KM0616	HEX.SOC.HD.BOLT	M6×1.0-16L	1	TH-P-FN130-21-SA1401	PUSHER		1	TH-P-FN130-21-SG1701	BODY		1
TH-P-FN130-21-KM0630	HEX.SOC.HD.BOLT	M6×1.0-30L	5	TH-P-FN130-21-SA1613W	TRIGGER ASSY.		1	TH-P-FN130-21-SG1901	WORK CONTACTING ELEMENT		1
TH-P-FN130-21-KM1035	HEX.SOC.HD.BOLT	M10×1.5-35L	2	TH-P-FN130-21-SA1701	PUSHER SPRING		1	TH-P-FN130-21-SH0301W	DRIVER ASSY.		1
TH-P-FN130-21-KM1040	HEX.SOC.HD.BOLT	M10×1.5-40L	2	TH-P-FN130-21-SA1801	ROLLER		1	TH-P-FN130-21-SH0401	DRIVER		1
TH-P-FN130-21-KP3015	PARALLEL PIN	∅ 3×15L	2	TH-P-FN130-21-SA2001	LATCH BUSHING		1	TH-P-FN130-21-SI1001	HANDLE BRACKET		1
TH-P-FN130-21-KR0306	BUTTON HD.BOLT	M3×0.5-6L	1	TH-P-FN130-21-SA2101	ROLLER PIN		1	TH-P-FN130-21-SI1501	HANDLE		1
TH-P-FN130-21-KS3016	SPRING PIN	∅ 3-16L	1	TH-P-FN130-21-SA2404	TRIGGER VALVE STEM		1	TH-P-FN130-21-WA1801	SAFETY GUIDE		1
TH-P-FN130-21-KS3024	SPRING PIN	∅ 3-24L	4	TH-P-FN130-21-SA2501	TRIGGER VALVE SEAT		1	TH-P-FN130-21-YG0601	SPRING WASHER	∅ 6	5
TH-P-FN130-21-OA016A	O-RING	ARP568-016	1	TH-P-FN130-21-SA2601	TRIGGER VALVE SEAT		1	TH-P-FN130-21-YG1001	SPRING WASHER	∅ 10	4
TH-P-FN130-21-OA039A	O-RING	ARP568-039	2	TH-P-FN130-21-SA2701	SPRING		1	TH-P-FN130-21-YL0508	LOCK NUT	M5×0.8	4
TH-P-FN130-21-OA126A	O-RING	ARP568-126	1	TH-P-FN130-21-SA2801	COMPRESSION SPRING		1	TH-P-FN130-21-YL0610	LOCK NUT	M6×1.0	4
TH-P-FN130-21-OA148A	O-RING	ARP568-148	1	TH-P-FN130-21-SA2901	COMPRESSION SPRING		1	TH-P-FN130-21-YW0301	FLAT WASHER	∅ 3	1
▲ TH-P-FN130-21-OB032A	O-RING	2.5×1.4	2	TH-P-FN130-21-SA3001	COMPRESSION SPRING		1	TH-P-FN130-21-YW0402	FLAT WASHER	∅ 4	2
TH-P-FN130-21-OB521A	O-RING	51.5×3.1	1	TH-P-FN130-21-SA3203	CONTACT LEVER		1	TH-P-FN130-21-YW0601	FLAT WASHER	∅ 6	4
TH-P-FN130-21-OB522H	O-RING	52.0×6.35	1	TH-P-FN130-21-SA3307	TRIGGER		1	TH-P-FN130-21-YW0602	FLAT WASHER	∅ 6	2
TH-P-FN130-21-OB691A	O-RING	68.5×2.95	2	TH-P-FN130-21-SA3401	SPRING SEAT		1				
▲ TH-P-FN130-21-OP006A	O-RING	P6	2	TH-P-FN130-21-SA3601	NAIL GUIDE		1				
▲ TH-P-FN130-21-OP009A	O-RING	P9	1	TH-P-FN130-21-SA3701	LATCH		1				
TH-P-FN130-21-OP020A	O-RING	P20	1	TH-P-FN130-21-SA3802	MAGAZINE RETAINER		1				
TH-P-FN130-21-OS005A	O-RING	S-5	1	TH-P-FN130-21-SA3901	DUST SHIELD RING		1				
TH-P-FN130-21-PA2003	END CAP		1	TH-P-FN130-21-SA4401	GROMMET		1				
TH-P-FN130-21-SA0201	CYLINDER CAP		1								

☆☆ If you need to order parts, please mark both Parts No. and Description. ☆☆