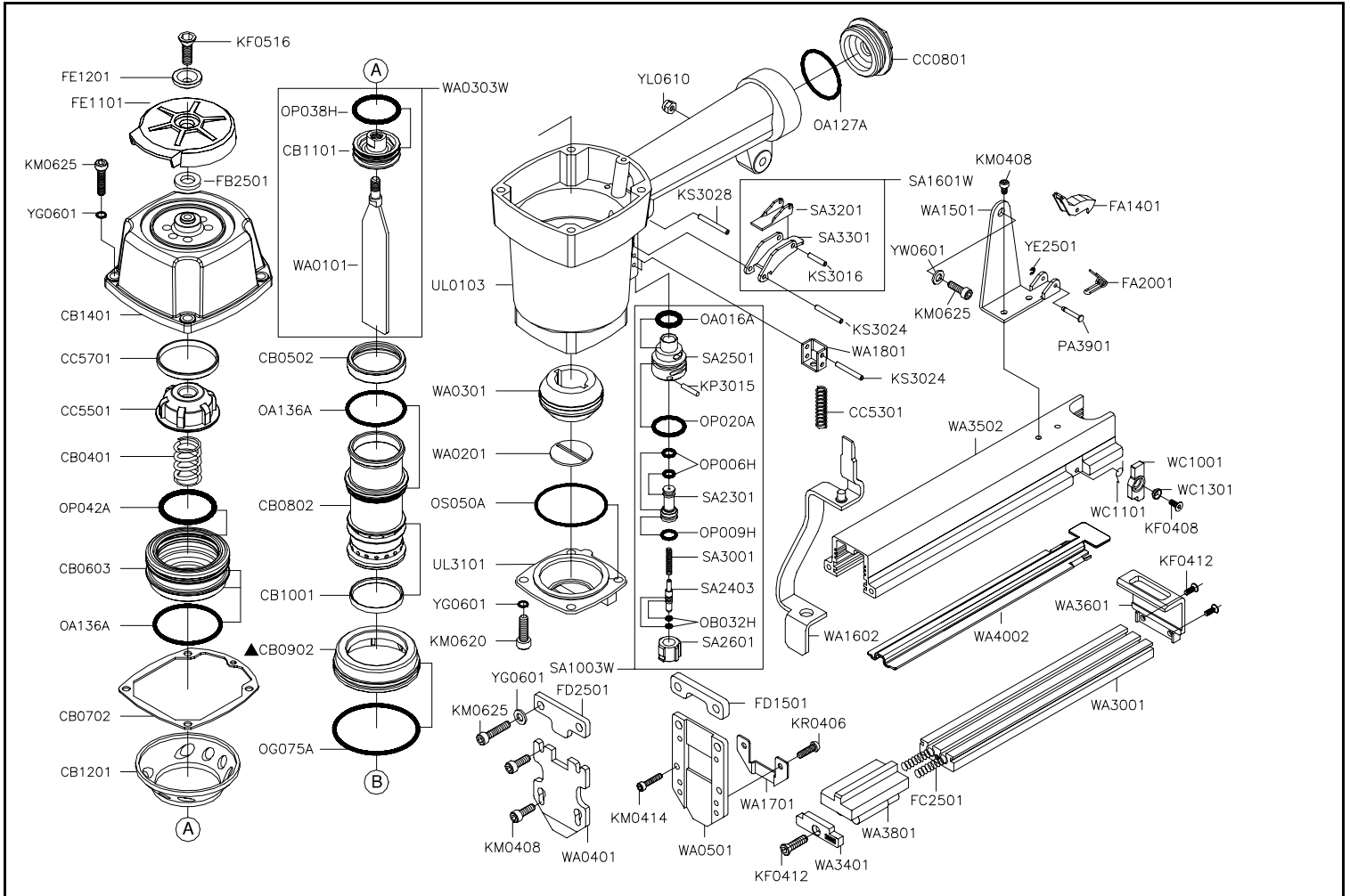


# TH-T-COR2



Parts No.	Description	Spec	Q'ty	Parts No.	Description	Spec	Q'ty	Parts No.	Description	Spec	Q'ty
TH-P-COR2-CB0401	COMPRESSION SPRING		1	TH-P-COR2-KM0620	HEX.SOC.HD.BOLT	M6×1.0 - 20L	4	TH-P-COR2-SA3301	TRIGGER		1
TH-P-COR2-CB0502	CYLINDER RING		1	TH-P-COR2-KM0625	HEX.SOC.HD.BOLT	M6×1.0 - 25L	7	TH-P-COR2-UL0103	BODY		1
TH-P-COR2-CB0603	HEAD VALVE PISTON		1	TH-P-COR2-KP3015	PARALLEL PIN	3×15L	2	TH-P-COR2-UL3101	SIDE PLATE(L.H.)		1
TH-P-COR2-CB0702	CAP SEAL		1	TH-P-COR2-KR0406	BUTTON HD.BOLT	M4×0.7 - 6L	2	TH-P-COR2-WA0101	DRIVER		1
TH-P-COR2-CB0802	CYLINDER		1	TH-P-COR2-KS3016	SPRING PIN	3-16L	1	TH-P-COR2-WA0201	NOZZLE		1
TH-P-COR2-CB0902	CYLINDER RING		1	TH-P-COR2-KS3024	SPRING PIN	3-24L	3	TH-P-COR2-WA0301	BUMPER		1
TH-P-COR2-CB1001	CHECK SEAL		1	TH-P-COR2-KS3028	SPRING PIN	3-28L	1	TH-P-COR2-WA0303W	DRIVER ASSY.		1
TH-P-COR2-CB1101	MAIN PISTON		1	TH-P-COR2-OA016A	O-RING	ARP568-016	1	TH-P-COR2-WA0401	COVER PLATE(B)		1
TH-P-COR2-CB1201	COLLAR		1	TH-P-COR2-OA127A	O-RING	ARP568-127	1	TH-P-COR2-WA0501	GUIDE PLATE		1
TH-P-COR2-CB1401	CYLINDER CAP		1	TH-P-COR2-OA136A	O-RING	ARP568-136	3	TH-P-COR2-WA1501	SUPPORT		1
TH-P-COR2-CC0801	END CAP		1	TH-P-COR2-OB032H	O-RING	2.5×1.4	2	TH-P-COR2-WA1602	SAFETY		1
TH-P-COR2-CC5301	COMPRESSION SPRING		1	TH-P-COR2-OG075A	O-RING	G75	1	TH-P-COR2-WA1701	SAFETY GUIDE		1
TH-P-COR2-CC5501	PISTON STOP		1	TH-P-COR2-OP006H	O-RING	5.8×1.9	2	TH-P-COR2-WA1801	SAFETY GUIDE		1
TH-P-COR2-CC5701	SPACER		1	TH-P-COR2-OP009H	O-RING	8.8×1.9	1	TH-P-COR2-WA3001	MAGAZINE SEAT		1
TH-P-COR2-FA1401	LATCH		1	TH-P-COR2-OP020A	O-RING	P20	1	TH-P-COR2-WA3401	FRONT PLATE		1
TH-P-COR2-FA2001	SPRING		1	TH-P-COR2-OP038H	O-RING	37.7×3.5	1	TH-P-COR2-WA3502	MAGAZINE CAP		1
TH-P-COR2-FB2501	PISTON STOP		1	TH-P-COR2-OP042A	O-RING	P42	1	TH-P-COR2-WA3601	STOP PLATE		1
TH-P-COR2-FC2501	PUSHER SPRING		2	TH-P-COR2-OS050A	O-RING	S-50	1	TH-P-COR2-WA3801	PUSHER		1
TH-P-COR2-FD1501	SPACER		1	TH-P-COR2-PA3901	PIN		1	TH-P-COR2-WA4002	ADJUSTMENT RAIL		1
TH-P-COR2-FD2501	COVER PLATE(A)		1	TH-P-COR2-SA1003W	RESTRICTIVE TRIGGER ASSY.		1	TH-P-COR2-WC1001	PUSHER STOP		1
TH-P-COR2-FE1101	EXHAUST CAP		1	TH-P-COR2-SA1601W	TRIGGER ASSY.		1	TH-P-COR2-WC1101	SPRING		1
TH-P-COR2-FE1201	EXHAUST CAP RING		1	TH-P-COR2-SA2301	PILOT VALVE		1	TH-P-COR2-WC1301	SCREW SEAT		1
TH-P-COR2-KF0408	FLAT HD.BOLT	M4×0.7 - 8L	1	TH-P-COR2-SA2403	TRIGGER VALVE STEM		1	TH-P-COR2-YE2501	E-RING	2.5	1
TH-P-COR2-KF0412	FLAT HD.BOLT	M4×0.7 - 12L	3	TH-P-COR2-SA2501	TRIGGER VALVE SEAT		1	TH-P-COR2-YG0601	SPRING WASHER	6	10
TH-P-COR2-KF0516	FLAT HD.BOLT	M5×0.8 - 16L	1	TH-P-COR2-SA2601	TRIGGER VALVE SEAT		1	TH-P-COR2-YL0610	LOCK NUT	M6×1.0	1
TH-P-COR2-KM0408	HEX.SOC.HD.BOLT	M4×0.7 - 8L	6	TH-P-COR2-SA3001	COMPRESSION SPRING		1	TH-P-COR2-YW0601	FLAT WASHER	6	1
TH-P-COR2-KM0414	HEX.SOC.HD.BOLT	M4×0.7 - 14L	2	TH-P-COR2-SA3201	CONTACT LEVER		1				

If you need to order parts, please mark both Parts No. and Description.