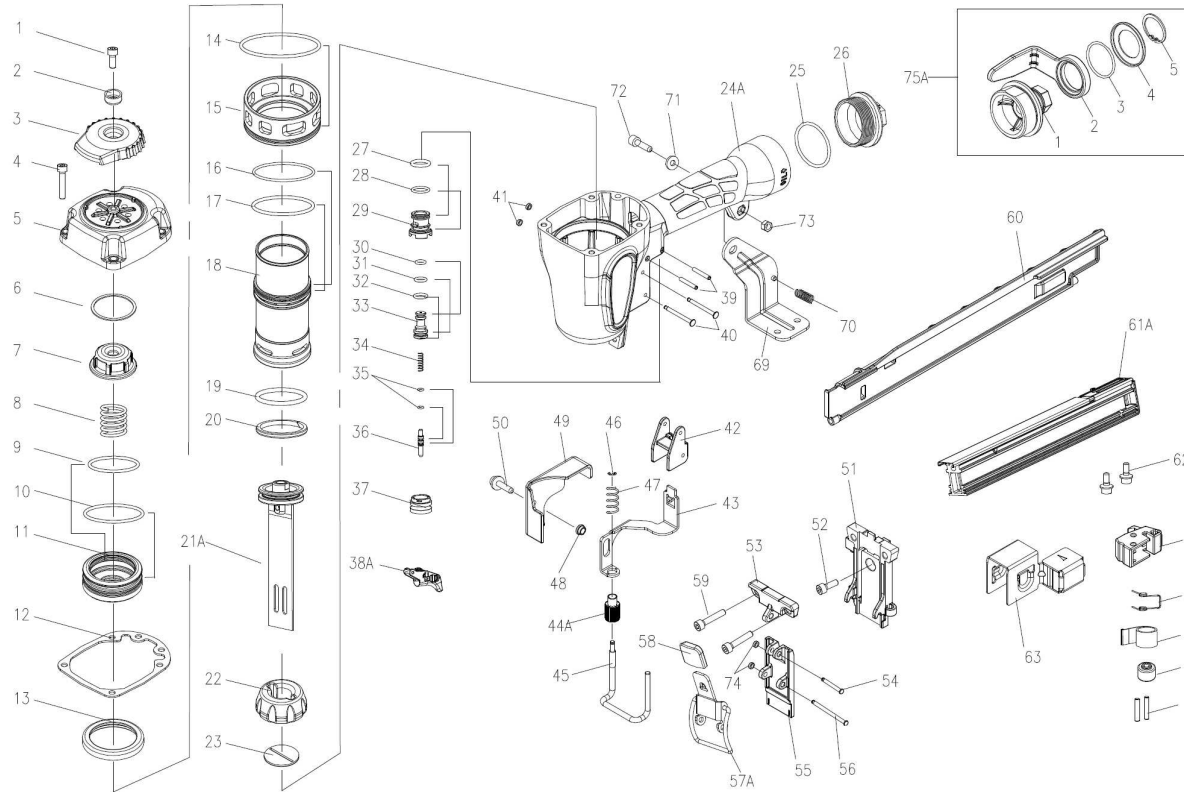


TH-T-CFN50-15 EXPLODED VIEW



Part No.	Description	Q'ty	Part No.	Description	Q'ty	Part No.	Description	Q'ty	Part No.	Description	Q'ty	Part No.	Description	Q'ty
TH-P-CFN50-15-1	Hex.Soc.Hd.Bolt	2	TH-P-CFN50-15-21	O-Ring	1	TH-P-CFN50-15-41A	Trigger Assembly	1set	TH-P-CFN50-15-61	Feed Piston	1	TH-P-CFN50-15-81	Nose, Cover	1
TH-P-CFN50-15-2	Deflector, Exhaust	1	TH-P-CFN50-15-22	O-Ring	1	TH-P-CFN50-15-42	Pin Trigger	1	TH-P-CFN50-15-62	Roll Pin	1	TH-P-CFN50-15-82	Hex.Soc.Hd.Bolt	2
TH-P-CFN50-15-3A	Cap Assembly	1set	TH-P-CFN50-15-23	Cylinder	1	TH-P-CFN50-15-43	Grommet	1	TH-P-CFN50-15-63	O-Ring	3	TH-P-CFN50-15-83	Magazine	1
TH-P-CFN50-15-4	Piston Stopper	1	TH-P-CFN50-15-24	Bumper	1	TH-P-CFN50-15-44	Guide, Contact Trip A	1	TH-P-CFN50-15-64	Gasket	1	TH-P-CFN50-15-84	Nail Holder	1
TH-P-CFN50-15-5	Spring	1	TH-P-CFN50-15-25A	Body Assembly	1set	TH-P-CFN50-15-45A	Upper Safety Lever Assy.	1	TH-P-CFN50-15-65	Feed Piston Cover	1	TH-P-CFN50-15-85	Tension Post Bushing(Upper)	1
TH-P-CFN50-15-6	O-Ring	1	TH-P-CFN50-15-26	O-Ring	1	TH-P-CFN50-15-46	Adjusting Spring	1	TH-P-CFN50-15-66	Hex.Soc.Hd.Bolt	2	TH-P-CFN50-15-86	Spring	1
TH-P-CFN50-15-7	O-Ring	1	TH-P-CFN50-15-27	End Cap	1	TH-P-CFN50-15-47	Adjusting Post	1	TH-P-CFN50-15-67	Feed Piston Cover	1	TH-P-CFN50-15-87	Tension Post Bushing	1
TH-P-CFN50-15-8	O-Ring	1	TH-P-CFN50-15-28	O-Ring	1	TH-P-CFN50-15-48	O-Ring	1	TH-P-CFN50-15-68	Nail Guide	1	TH-P-CFN50-15-88	Magazine Cover	1
TH-P-CFN50-15-9	Piston,Head Valve A	1	TH-P-CFN50-15-29	O-Ring	1	TH-P-CFN50-15-49	Safety Guide	1	TH-P-CFN50-15-69	Check Pawl A	1	TH-P-CFN50-15-89	Shaft Pin Cover	1
TH-P-CFN50-15-10	Piston,Head Valve B	1	TH-P-CFN50-15-30	Valve	1	TH-P-CFN50-15-50	Guide, Contact Trip B	1	TH-P-CFN50-15-70	Check Pawl B	1	TH-P-CFN50-15-90	Flat Washer	1
TH-P-CFN50-15-11	Spacer, Piston,Head Valve	1	TH-P-CFN50-15-31	O-Ring	2	TH-P-CFN50-15-51A	Lower Safety Lever Assy.	1set	TH-P-CFN50-15-71	Spring Pin	1	TH-P-CFN50-15-91	Locknut	1
TH-P-CFN50-15-12	Guide Cover	2	TH-P-CFN50-15-32	O-Ring	1	TH-P-CFN50-15-52	E-Ring	1	TH-P-CFN50-15-72	Spring	1	TH-P-CFN50-15-92	Driver Guide	1
TH-P-CFN50-15-13	Anti-Skid Grip	2	TH-P-CFN50-15-33	O-Ring	1	TH-P-CFN50-15-53	Gasket	1	TH-P-CFN50-15-73	Spring	1	TH-P-CFN50-15-93	Spring Pin	1
TH-P-CFN50-15-14	Casket, Cap	1	TH-P-CFN50-15-34	Valve Plunger	1	TH-P-CFN50-15-54	Nose	1	TH-P-CFN50-15-74	Nail Guide Cover	1			
TH-P-CFN50-15-15	Hex.Soc.Hd.Bolt	5	TH-P-CFN50-15-35	Spring	1	TH-P-CFN50-15-55	Hex.Soc.Hd.Bolt	4	TH-P-CFN50-15-75	Hex.Soc.Hd.Bolt	2			
TH-P-CFN50-15-16	Seal	1	TH-P-CFN50-15-36	O-Ring	2	TH-P-CFN50-15-56	Flat Washer	4	TH-P-CFN50-15-76	Spring	1			
TH-P-CFN50-15-17	O-Ring	1	TH-P-CFN50-15-37	Plunger	1	TH-P-CFN50-15-57	Feed Pawl	1	TH-P-CFN50-15-77	Nail Guide Latch	1			
TH-P-CFN50-15-18A	Driver Assembly	1set	TH-P-CFN50-15-38	Plunger Cap	1	TH-P-CFN50-15-58	Spring	1	TH-P-CFN50-15-78	Lock Shaft	1			
TH-P-CFN50-15-19	O-Ring	1	TH-P-CFN50-15-39	Spring Pin	1	TH-P-CFN50-15-59	O-Ring	1	TH-P-CFN50-15-79	Spring Pin	1			
TH-P-CFN50-15-20	Cylinder Spacer	1	TH-P-CFN50-15-40	Spring Pin	3	TH-P-CFN50-15-60	O-Ring	1	TH-P-CFN50-15-80	Shaft Pin Nail Guide	1			