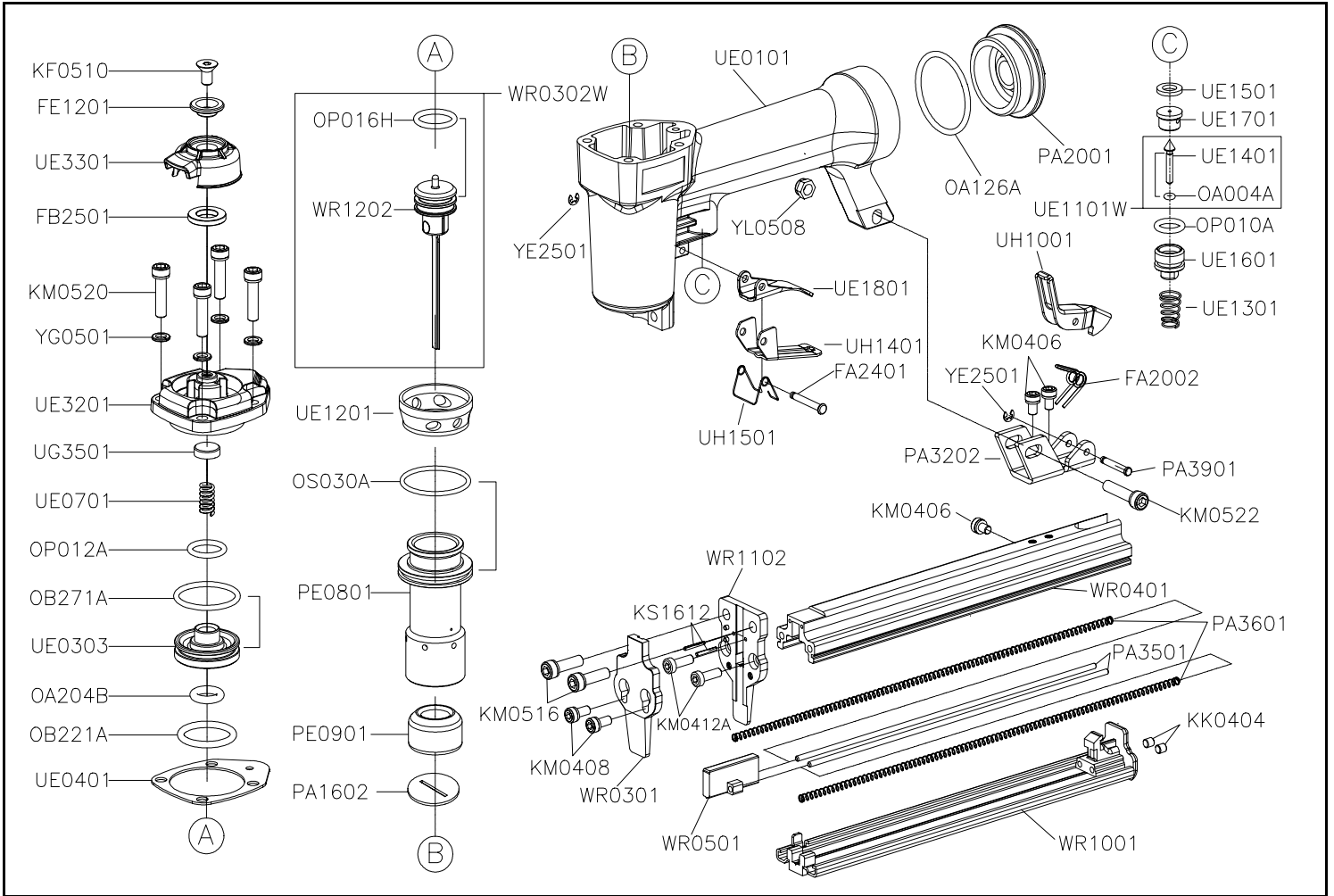


# TH-T-515



| Parts No.        | Description       | Spec         | Q'ty | Parts No.        | Description         | Spec     | Q'ty | Parts No.        | Description        | Spec   | Q'ty |
|------------------|-------------------|--------------|------|------------------|---------------------|----------|------|------------------|--------------------|--------|------|
| TH-P-515-FA2002  | SPRING            |              | 1    | TH-P-515-OP016H  | O-RING              | 15.8×2.4 | 1    | TH-P-515-UE1701  | TRIGGER VALVE SEAT |        | 1    |
| TH-P-515-FA2401  | PIN               |              | 1    | TH-P-515-OS030A  | O-RING              | S-30     | 1    | TH-P-515-UE1801  | TRIGGER            |        | 1    |
| TH-P-515-FB2501  | PISTON STOP       |              | 1    | TH-P-515-PA1602  | NOZZLE              |          | 1    | TH-P-515-UE3201  | CYLINDER CAP       |        | 1    |
| TH-P-515-FE1201  | EXHAUST CAP RING  |              | 1    | TH-P-515-PA2001  | END CAP             |          | 1    | TH-P-515-UE3301  | EXHAUST CAP        |        | 1    |
| TH-P-515-KF0510  | FLAT HD.BOLT      | M5×0.8 - 10L | 1    | TH-P-515-PA3202  | SUPPORT             |          | 1    | TH-P-515-UG3501  | PISTON STOP        |        | 1    |
| TH-P-515-KK0404  | HEX.SOC.SET SCREW | M4×0.7 - 4L  | 2    | TH-P-515-PA3501  | GUIDE STEM          |          | 2    | TH-P-515-UH1001  | LATCH              |        | 1    |
| TH-P-515-KM0406  | HEX.SOC.HD.BOLT   | M4×0.7 - 6L  | 3    | TH-P-515-PA3601  | PUSHER SPRING       |          | 2    | TH-P-515-UH1401  | TRIGGER STOP       |        | 1    |
| TH-P-515-KM0408  | HEX.SOC.HD.BOLT   | M4×0.7 - 8L  | 2    | TH-P-515-PA3901  | PIN                 |          | 1    | TH-P-515-UH1501  | SPRING             |        | 1    |
| TH-P-515-KM0412A | HEX.SOC.HD.BOLT   | M4×0.7 - 12L | 2    | TH-P-515-PE0801  | CYLINDER            |          | 1    | TH-P-515-WR0301  | COVER PLATE        |        | 1    |
| TH-P-515-KM0516  | HEX.SOC.HD.BOLT   | M5×0.8 - 16L | 2    | TH-P-515-PE0901  | BUMPER              |          | 1    | TH-P-515-WR0302W | DRIVER ASSY.       |        | 1    |
| TH-P-515-KM0520  | HEX.SOC.HD.BOLT   | M5×0.8 - 20L | 4    | TH-P-515-UE0101  | BODY                |          | 1    | TH-P-515-WR0401  | MAGAZINE CAP       |        | 1    |
| TH-P-515-KM0522  | HEX.SOC.HD.BOLT   | M5×0.8 - 22L | 1    | TH-P-515-UE0303  | HEAD VALVE PISTON   |          | 1    | TH-P-515-WR0501  | PUSHER             |        | 1    |
| TH-P-515-KS1612  | SPRING PIN        | 1.6-12L      | 2    | TH-P-515-UE0401  | CAP SEAL            |          | 1    | TH-P-515-WR1001  | MAGAZINE SEAT SET  |        | 1    |
| TH-P-515-OA004A  | O-RING            | ARP568-004   | 1    | TH-P-515-UE0701  | COMPRESSION SPRING  |          | 1    | TH-P-515-WR1102  | GUIDE PLATE        |        | 1    |
| TH-P-515-OA126A  | O-RING            | ARP568-126   | 1    | TH-P-515-UE1101W | TRIGGER VALVE ASSY. |          | 1    | TH-P-515-WR1202  | DRIVER SET         |        | 1    |
| TH-P-515-OA204B  | O-RING            | ARP568-204   | 1    | TH-P-515-UE1201  | COLLAR              |          | 1    | TH-P-515-YE2501  | E-RING             | 2.5    | 2    |
| TH-P-515-OB221A  | O-RING            | 22×3         | 1    | TH-P-515-UE1301  | COMPRESSION SPRING  |          | 1    | TH-P-515-YG0501  | SPRING WASHER      | 5      | 4    |
| TH-P-515-OB271A  | O-RING            | 26.8×2.4     | 1    | TH-P-515-UE1401  | TRIGGER VALVE STEM  |          | 1    | TH-P-515-YL0508  | LOCK NUT           | M5×0.8 | 1    |
| TH-P-515-OP010A  | O-RING            | P10          | 1    | TH-P-515-UE1501  | SEAL                |          | 1    |                  |                    |        |      |
| TH-P-515-OP012A  | O-RING            | P12          | 1    | TH-P-515-UE1601  | TRIGGER VALVE GUIDE |          | 1    |                  |                    |        |      |

If you need to order parts, please mark both Parts No. and Description.