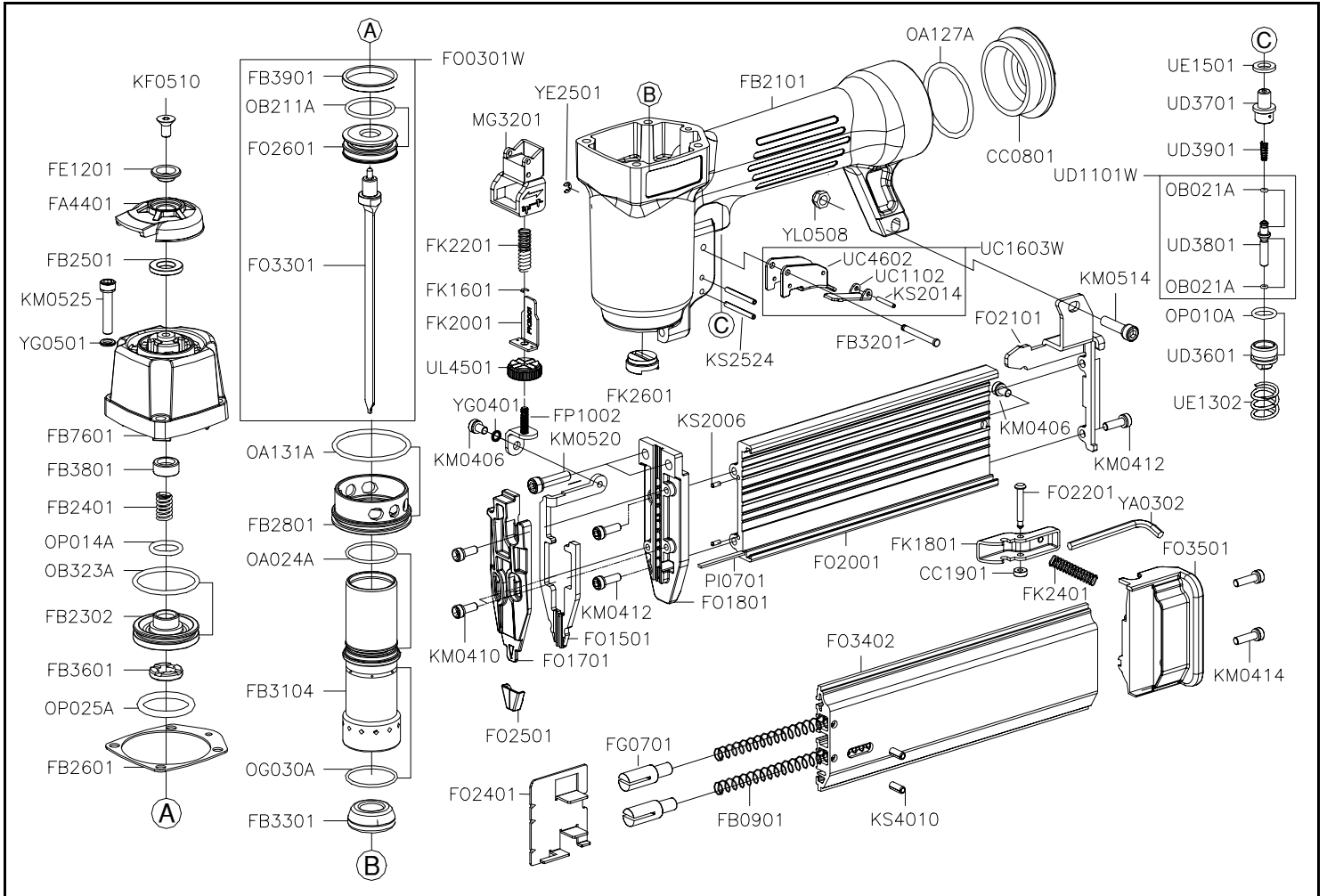


# TH-T-1825



Parts No.	Description	Spec	Qty	Parts No.	Description	Spec	Qty	Parts No.	Description	Spec	Qty
TH-P-1825-CC0801	END CAP		1	TH-P-1825-F01701	COVER PLATE		1	TH-P-1825-OA131A	O-RING	ARP568-131	1
TH-P-1825-CC1901	BUSHING		1	TH-P-1825-F01801	GUIDE PLATE		1	TH-P-1825-OB021A	O-RING	1.8x1.2	2
TH-P-1825-FA4401	EXHAUST CAP		1	TH-P-1825-F02001	MAGAZINE SEAT		1	TH-P-1825-OB211A	O-RING	20.8x1.78	1
TH-P-1825-FB0901	PUSHER SPRING		2	TH-P-1825-F02101	SUPPORT		1	TH-P-1825-OB323A	O-RING	31.8x2.4	1
TH-P-1825-FB2101	BODY		1	TH-P-1825-F02201	PIN		1	TH-P-1825-OG030A	O-RING	G30	1
TH-P-1825-FB2302	HEAD VALVE PISTON		1	TH-P-1825-F02401	PUSHER		1	TH-P-1825-OP010A	O-RING	P10	1
TH-P-1825-FB2401	COMPRESSION SPRING		1	TH-P-1825-F02501	SAFETY CUSHION		1	TH-P-1825-OP014A	O-RING	P14	1
TH-P-1825-FB2501	PISTON STOP		1	TH-P-1825-F02601	MAIN PISTON		1	TH-P-1825-OP025A	O-RING	P25(1A)	1
TH-P-1825-FB2601	CAP SEAL		1	TH-P-1825-F03301	DRIVER		1	TH-P-1825-PI0701	BAR		1
TH-P-1825-FB2801	COLLAR		1	TH-P-1825-F03402	MAGAZINE CAP		1	TH-P-1825-UC1102	CONTACT LEVER		1
TH-P-1825-FB3104	CYLINDER		1	TH-P-1825-F03501	COVER		1	TH-P-1825-UC1603W	TRIGGER ASSY.		1
TH-P-1825-FB3201	PIN		1	TH-P-1825-FP1002	WORK CONTACTING ELEMENT(B)		1	TH-P-1825-UC4602	TRIGGER		1
TH-P-1825-FB3301	BUMPER		1	TH-P-1825-KF0510	FLAT HD.BOLT	M5x0.8 - 10L	1	TH-P-1825-UD1101W	TRIGGER VALVE ASSY.		1
TH-P-1825-FB3601	PISTON STOP		1	TH-P-1825-KM0406	HEX SOC.HD.BOLT	M4x0.7 - 6L	2	TH-P-1825-UD3601	TRIGGER VALVE GUIDE		1
TH-P-1825-FB3801	PISTON STOP		1	TH-P-1825-KM0410	HEX SOC.HD.BOLT	M4x0.7 - 10L	3	TH-P-1825-UD3701	TRIGGER VALVE SEAT		1
TH-P-1825-FB3901	MAIN PISTON RING		1	TH-P-1825-KM0412	HEX SOC.HD.BOLT	M4x0.7 - 12L	4	TH-P-1825-UD3801	TRIGGER VALVE STEM		1
TH-P-1825-FB7601	CYLINDER CAP		1	TH-P-1825-KM0414	HEX SOC.HD.BOLT	M4x0.7 - 14L	2	TH-P-1825-UD3901	COMPRESSION SPRING		1
TH-P-1825-FE1201	EXHAUST CAP RING		1	TH-P-1825-KM0514	HEX SOC.HD.BOLT	M5x0.8 - 14L	1	TH-P-1825-UE1302	COMPRESSION SPRING		1
TH-P-1825-FG0701	PUSHER PIN		2	TH-P-1825-KM0520	HEX SOC.HD.BOLT	M5x0.8 - 20L	2	TH-P-1825-UE1501	SEAL		1
TH-P-1825-FK1601	C-RING		1	TH-P-1825-KM0525	HEX SOC.HD.BOLT	M5x0.8 - 25L	4	TH-P-1825-UL4501	ADJUSTING WHEEL		1
TH-P-1825-FK1801	LATCH		1	TH-P-1825-KS2006	SPRING PIN	2-6L	2	TH-P-1825-YA0302	HEX BAR WRENCH	D3	1
TH-P-1825-FK2001	SAFETY		1	TH-P-1825-KS2014	SPRING PIN	2-14L	1	TH-P-1825-YE2501	E-RING	2.5	1
TH-P-1825-FK2201	COMPRESSION SPRING		1	TH-P-1825-KS2524	SPRING PIN	2.5-24L	2	TH-P-1825-YG0401	SPRING WASHER	4	1
TH-P-1825-FK2401	COMPRESSION SPRING		1	TH-P-1825-KS4010	SPRING PIN	4-10L	2	TH-P-1825-YG0501	SPRING WASHER	5	4
TH-P-1825-FK2601	NOZZLE		1	TH-P-1825-MG3201	SAFETY SET		1	TH-P-1825-YL0508	LOCK NUT	M5x0.8	1
TH-P-1825-F00301W	DRIVER ASSY.		1	TH-P-1825-OA024A	O-RING	ARP568-024	1				
TH-P-1825-F01501	WORK CONTACTING ELEMENT(A)		1	TH-P-1825-OA127A	O-RING	ARP568-127	1				

If you need to order parts, please mark both Parts No. and Description.